

COMMANDER® HEALTHCARE

S-3355



Gooseneck Spouts



GENERAL SPECIFICATION

Polished chrome plated gooseneck spout for use with foot-pedal valves or surgeon scrub sink fitting. 8" deep gooseneck spout, rigid or swivel. Water conserving device limits flow to 1.5 gpm/5.7 L/min. Meets ASME A112.18.1/CSA B125.1 and WaterSense.

S-3355

Wall mounted gooseneck spout. 3/8" NPT female inlet.

OPTIONS

SUFFIX	DESCRIPTION
<input type="checkbox"/> BO	Vandal-resistant 0.5 gpm flow control
<input type="checkbox"/> CA**	No lead for CA AB1953 compliance (S-3345 only)
<input type="checkbox"/> LF	1.5 gpm laminar flow control outlet
<input type="checkbox"/> 4*	3-3/4" deep spread gooseneck spout, rigid or swivel
<input type="checkbox"/> 5*	5-1/4" deep spread gooseneck spout, rigid or swivel
<input type="checkbox"/> 9*	9" deep tubular swing spout, rigid or swivel
<input type="checkbox"/> FC*	2.0 gpm laminar flow control, plain end spout
<input type="checkbox"/> VB6*	6" deep spread gooseneck spout with vacuum breaker and rigid shanks
<input type="checkbox"/> VB8*	8" deep spread gooseneck spout with vacuum breaker and rigid shanks

VACUUM BREAKER OPTIONS

SUFFIX	DESCRIPTION
<input type="checkbox"/> ST	Serrated tip
<input type="checkbox"/> SW	Swivel spout

*See page 257 for optional spout specifications

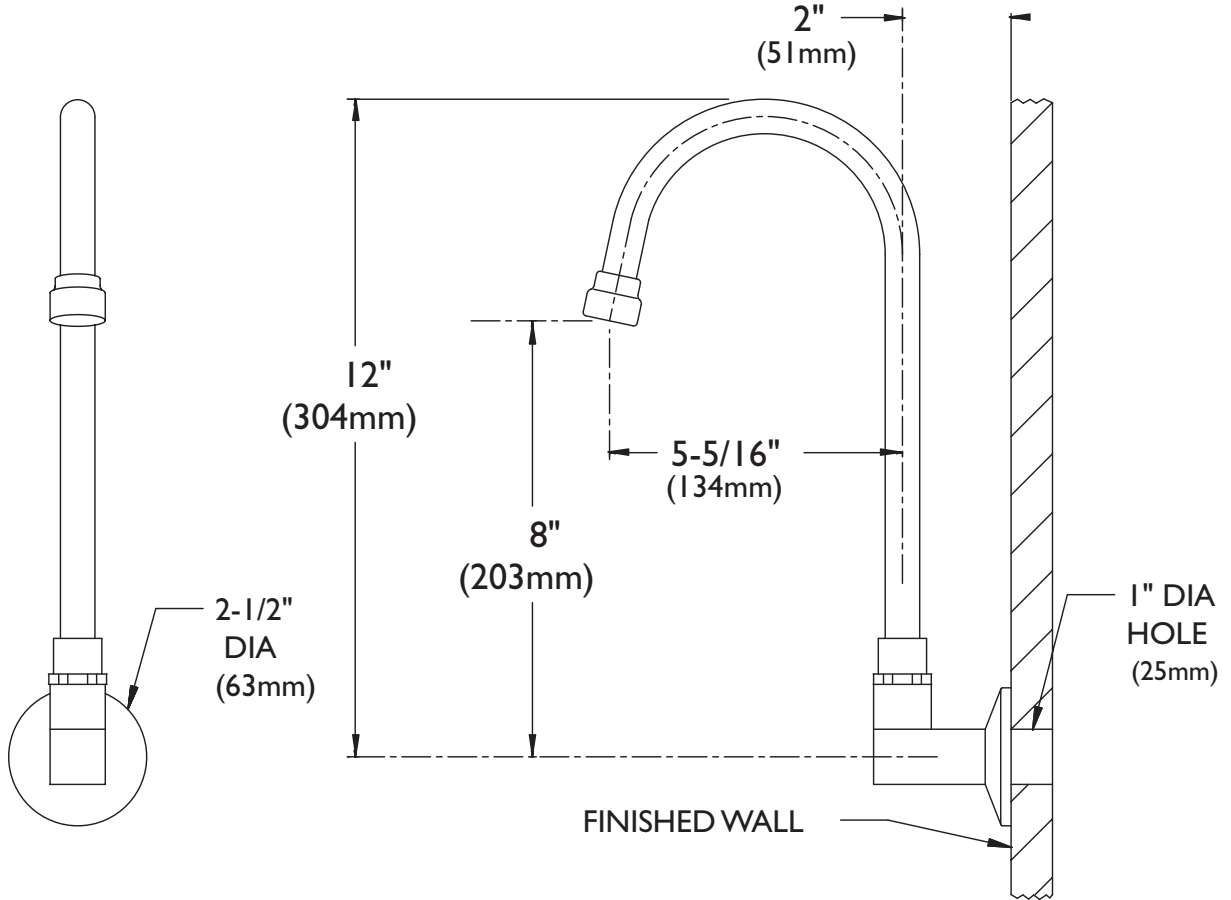
** The "SW" option is not available with the "CA" option

This space for Architect/Engineer approval.

Management Systems Registered to ISO 9001

ROUGH-INS

S-3355

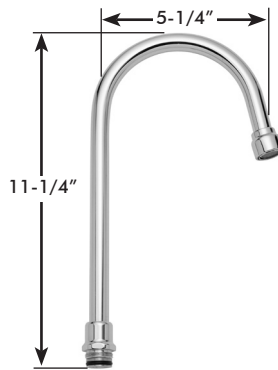




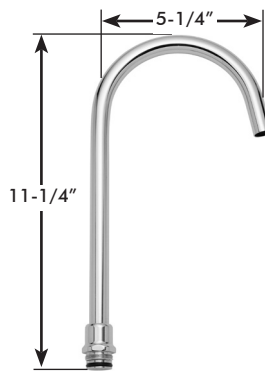
Spout -4, rigid or swivel
 3-3/4" deep gooseneck



Spout -4FC, rigid or swivel
 3-3/4" deep plain end gooseneck;
 laminar flow in base of spout



Spout -5, rigid or swivel
 5-1/4" deep gooseneck



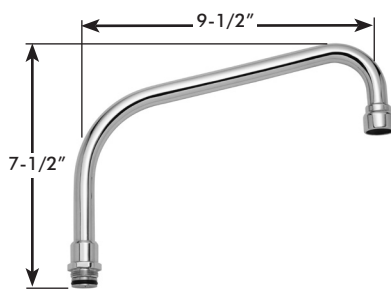
Spout -5FC, rigid or swivel
 5-1/4" deep plain end gooseneck;
 laminar flow in base of spout



Spout -8, rigid or swivel
 8" deep gooseneck



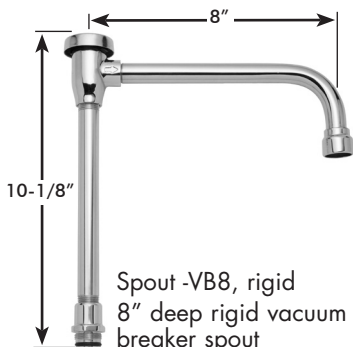
Spout -8FC, rigid or swivel
 8" deep plain end gooseneck;
 laminar flow in base of spout



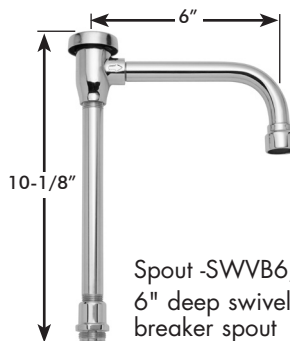
Spout -9, rigid or swivel
 9" deep tubular swing spout



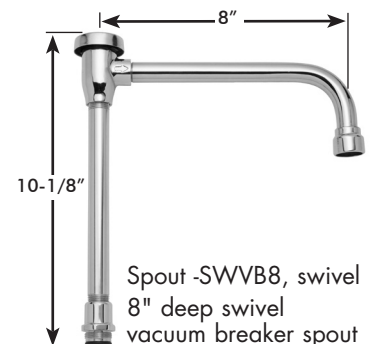
Spout -VB6, rigid
 6" deep rigid vacuum breaker spout



Spout -VB8, rigid
 8" deep rigid vacuum
 breaker spout



Spout -SWVB6, swivel
 6" deep swivel vacuum
 breaker spout



Spout -SWVB8, swivel
 8" deep swivel
 vacuum breaker spout