

SPEAKMAN COMPANY

S-2005 Installation, Maintenance & Operation Instructions

ANYSTREAM® SHOWERHEAD

DESCRIPTION

Polished chrome plated ANYSTREAM® S-2005 Showerhead. Spray adjusting T-handle. 2-1/2" face. 5 self-cleaning plunger nozzles resist scale build-up and provide 50 spray streams for a full body coverage pattern. Center core nozzles deliver 8 pulsating-massage jets. There is also a dual action combination spray. Integral volume control ring allows a full range of flow regulation for individual intensity preferences, as well as water and energy conservation. Water conserving pressure compensating AUTOFLO® device reduces flow to 2.5 GPM/9.46LPM maximum, to meet existing ASME A112.18.1 standard. Brass threaded inlet with 1/2" NPSM inlet.

SPECIFICATIONS

SUPPLY INLET: 1/2" NPSM
FLOW RATE: 2.5 GPM/ 9.46LPM MAX.
SHIPPING WEIGHT: 1LBS.

OPTIONS

- | |
|----------------------------------|
| ◇ WHT: White Finish |
| ◇ BB: Bright Brass (Gold) Finish |

INSTALLATION

This showerhead comes installed with the EZ connection, which requires no pipe tape or pipe joint compound for installation. Simply attach by threading the showerhead onto the shower arm by turning in a clockwise direction. Use a cloth to protect the surface as the showerhead is tightened down using a pipe wrench or pair of pliers. Position the showerhead by rotating it clockwise. Turn the water supply on and check for leaks. Check all threaded connections periodically to make sure they are tight. If the shower outlet arm threads are damaged or not according to standard specifications, pipe tape may be required for assuring a proper seal.

OPERATION

To adjust the spray pattern of the showerhead, simply rotate the handle to the desired spray (Full-Body, Dual action or Massage).

Turn ring to adjust volume of water from 2.5 gallons per minute to .5 gallons per minute.

Important Safeguards Reminder: Reducing the flow of water with a flow control device in any showerhead may aggravate the thermal shock possibility in your shower. Always avoid water streams when changing volume control setting. Sudden temperature change may occur.

MAINTENANCE

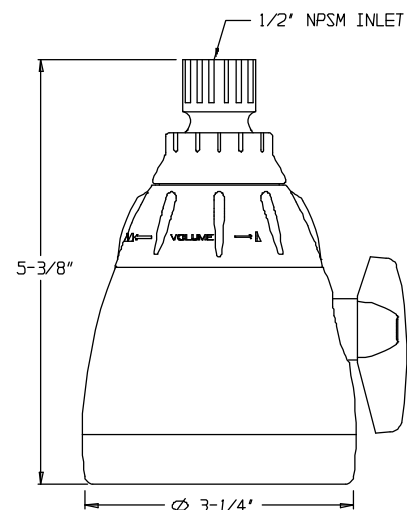
Periodic cleaning, using mild soap and warm water, will help keep your SPEAKMAN ANYSTREAM® showerhead's appearance in its original condition. For best results, dry immediately with a soft, clean cloth.

Caution: Do not use harsh and/or abrasive cleaners on showerheads.

In certain water conditions, mineral deposits may form. To keep your showerhead like new we recommend soaking the showerhead in 2 parts white vinegar and 1 part water for about 1 hour or more, depending on the amount of buildup. Rinse thoroughly. Brush off any remaining mineral deposits if necessary.

Project improvements may cause specifications and dimensional changes without notice.

ROUGH-IN MEASUREMENTS



SPEAKMAN®

PO Box 191 Wilmington, DE 19899 Phone: 800-537-2107 Fax: 800-977-2747
Visit us on the web at www.speakmancompany.com

09/07
REV 2
92-2485