

SPEAKMAN COMPANY

SC-5720 thru SC-5729 Installation, Operation, & Maintenance Instructions **COMMANDER® 8" DECK MOUNTED KITCHEN SINK FAUCET**

DESCRIPTION

Speakman polished chrome plated COMMANDER 8" deck faucet with ¼ turn ceramic valves. Brass body with rigid shanks. Metal handles with color-coded indexes. 8" spread brass gooseneck, swivel or rigid. Vandal-resistant water conserving aerated outlet device reduces flow to 2.2 GPM/8.4 LPM maximum to meet existing ASME A112.18.1/CSA B125.1 Standard. ½ NPSM male threaded inlet shanks.

SPECIFICATIONS

SUPPLY: ½ -14 NPSM COMPRESSION COUPLING OR ½ COPPER SWEAT CONNECTIONS.

FLOW RATE: 2.2 GPM/8.4 LPM (MAX)

SHIPPING WEIGHT: 5.4 LBS. (SC-5722)

OPTIONS

◇ BO – Vandal-Resistant 0.5 gpm Flow Control Device	◇ SO – Rose Spray Outlet Device	◇ 5 – 5-1/4" Deep Spread Gooseneck Spout
◇ D75 – Diamond 75 Handles	◇ ST – Serrated Tip (For VB6/8 only)	◇ 9 – 9" Deep Tubular Swing Spout
◇ FC – Laminar Flow Plain End Gooseneck Spout (2.0 gpm)	◇ SW – Swivel Spout (For VB6/8 only)	◇ 12 – 12" Deep Tubular Swing Spout
◇ HS – Hose & Spray	◇ VB6 – 6" Deep Spread Rigid Gooseneck Spout with Vacuum Breaker	◇ GB – Vandal-Resistant 1.5 GPM Aerator Outlet Device
◇ LF – Vandal-Resistant Laminar Flow Control Device (2.2 gpm)	◇ VB8 – 8" Deep Spread Rigid Gooseneck Spout with Vacuum Breaker	◇
◇ MI – Metal Indexes	◇ 4 – 3-3/4" Deep Spread Gooseneck Spout	◇

INSTALLATION

Important- If installing an optional **VB8/6** Rigid vacuum breaker spout and space is limited between deck fitting holes and backsplash/wall, install the spout to the deck body at this time (See Step #1 & #4).

- 1) Under the trim collars (2), valves are marked "Red" and "Blue". The red (hot) valve should be on the left side when the deck body is installed. Apply sealant around base underside of deck body.
- 2) Place body in position on the sink or countertop and push down firmly to seal. Working from under the sink, slip cup washers (2) onto shanks (2) and screw locknuts (2) up hand tight. Using a basin wrench, tighten nuts. Wipe off excess sealant from around the body base.
- 3) Connect water supply lines to inlet of body shanks and tighten coupling nuts (2) with wrench.
- 4) From above sink, remove plastic plug from body outlet. **For All Swiveling Spout:** Remove locking washer from body outlet. Install spout assembly and wrench tighten spout collar nut. **For Rigid Spout:** With the locking washer in body outlet, install the spout assembly, position, and wrench tighten the spout collar nut. **For Rigid Vacuum Breaker Spout-VB6/8 (Less "ST" option):** Make sure the locking washer is removed from the body outlet. **IMPORTANT-** Install rigid adapter in body and wrench tighten (See Rough-In on back side of sheet). Apply thread locker/sealant to the spout tapered pipe threads. Screw the spout into the adapter until the threads start to get snug. **Note-** When positioning the spout, hold adapter hex with a wrench, so body does not move. Holding the hex of the adapter with a wrench, tighten the spout at least 1/3 turn to the proper position (Do not over tighten spout). Remember that the thread locker/sealant will lock and seal the spout assembly in place.
- 5) If applicable, install hose and spray holder to sink/countertop. From above sink, insert inlet end of hose through holder. Working from under the sink, connect hose inlet to hose and spray outlet of deck body. Wrench tighten.
- 6) Slip trim sleeves (2) onto valve spindles (2). Position handles (2) and screw onto spindles. Press index buttons (2) into handles.
- 7) With the drain installed, turn water supplies (2) on and flush out both sides of the faucet. If applicable, install outlet device and check all connections for leaks.

OPERATION

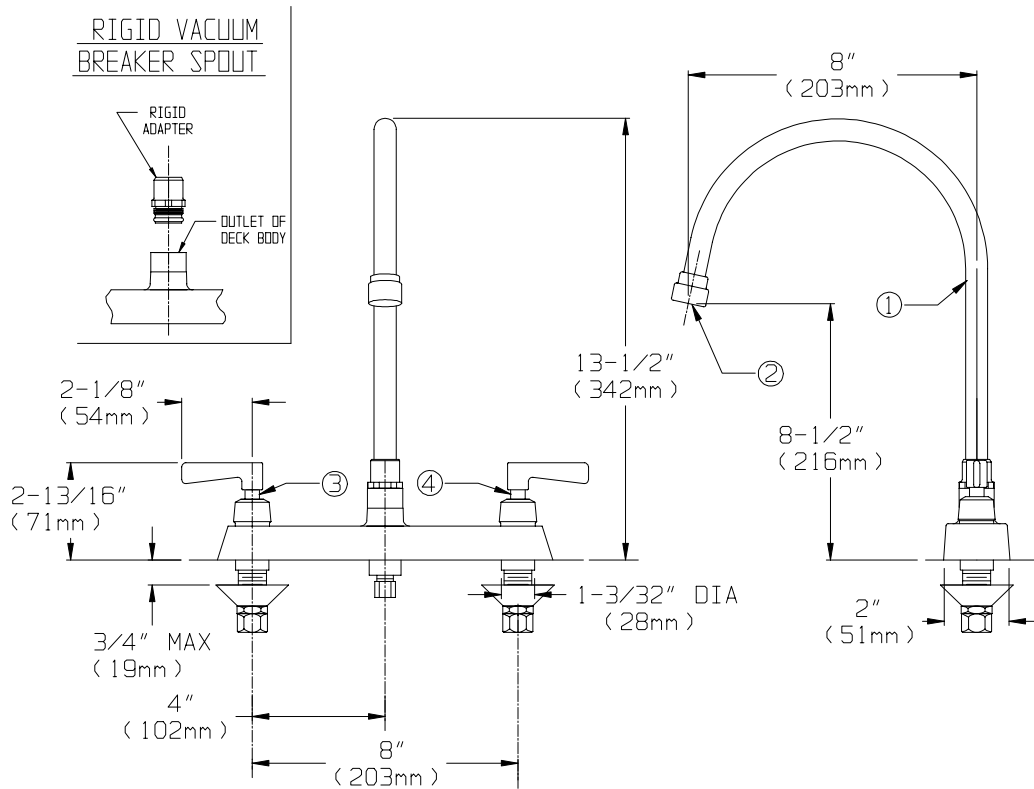
Simply rotate the handles ¼ turn maximum to operate the deck faucet.

MAINTENANCE (CARE and CLEANING)

Valves are washerless and require no routine maintenance. The gleaming finish of your SPEAKMAN Commander deck fitting can be cleaned by using mild soap and warm water. Dry immediately with a soft, clean cloth for best results.

ROUGH-IN MEASUREMENTS

(Model SC-5722 shown)



NOTES:

- 1) INLETS ARE SIZED FOR EITHER COUPLING OR SWEAT CONNECTIONS.
- 2) ALL DIMENSIONS ARE IN INCHES (mm) AND ARE SUBJECT TO CHANGE WITHOUT NOTICE.

REPAIR / REPLACEMENT PARTS

<u>ITEM NUMBER</u>	<u>PART OR GROUP NUMBER</u>	<u>DESCRIPTION</u>
1	G18-0217-PC-P	8" SPREAD GOOSENECK ASSEMBLY
2	G05-0674-PC	2.2 GPM AERATOR ASSEMBLY
3	RPG05-0532	PERFECT VALVE GROUP (RED) W/ TRIM SLEEVE AND SCREW
4	RPG05-0533	PERFECT VALVE GROUP (BLUE) W/ TRIM SLEEVE AND SCREW

SPEAKMAN[®]

PO Box 191 Wilmington, DE 19899

Phone: 800-537-2107 Fax: 800-977-2747

Visit us on the web at www.speakmancompany.com