

SPEAKMAN COMPANY

S-2222 Installation, Maintenance & Operation Instructions

ANYSTREAM® DUAL SHOWERHEAD

DESCRIPTION

Polished chrome plated ANYSTREAM 2000 dual showerhead. Chrome plate brass manifold. Brass ball swivel joint. Spray adjusting T-handle. 3-1/4" face. 5 self cleaning plunger nozzles per head resist scale build-up and provide 100 spray streams for a full body coverage pattern. The two center core nozzles deliver eighteen vibra-massage jets. Combination spray available. Water conserving pressure compensating AUTOFLO® device reduces flow to 2.5 GPM/9.46LPM maximum, to meet existing ANSI A112.18.1M Standard. 1/2" NPTF inlet.

SPECIFICATIONS

SUPPLY INLET: 1/2" NPTF
FLOW RATE: 2.5 GPM/9.46LPM MAXIMUM
FLOW CONTROL: VARIABLE
SHIPPING WEIGHT: 2.82 LBS.

OPTIONS

◇ BB: Bright Brass (Gold) Finish

INSTALLATION

Apply pipe thread tape in a clockwise direction to threads of shower arm. Pipe joint compound may be used instead of tape. Turning in a clockwise direction, thread the manifold on to the shower arm. Tighten with a pipe wrench or a pair of pliers. Turn the water supply on and check for leaks.

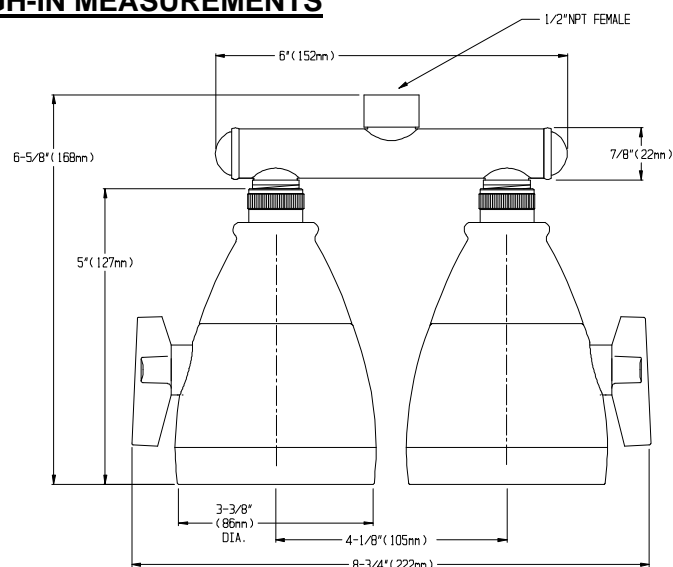
OPERATION

To adjust the spray pattern of the showerheads, simply rotate the handles to the desired spray (needle spray, gentle rain or vibra-massage).

MAINTENANCE

The gleaming finish of your SPEAKMAN ANYSTREAM® showerhead can be cleaned by using mild soap and warm water. Dry immediately with a soft, clean cloth for best results. The flow control devices limits water flow to 2.5 gallons per minute. The small orifices may become clogged with scale and other minerals found in potable water. To clean the flow regulators, simply remove the shower heads from the manifold, pull out the locking tabs from the balls, dislodge the flow regulators and clean as necessary.

ROUGH-IN MEASUREMENTS



Product improvements may cause specification and dimensional changes without notice.

09/07

SPEAKMAN®

PO Box 191 Wilmington, DE 19899 Phone: 800-537-2107 Fax: 800-977-2747
Visit us on the web at www.speakmancompany.com