

SPEAKMAN COMPANY

S-2008 Installation, Maintenance & Operation Instructions

ANYSTREAM® SHOWERHEAD

DESCRIPTION

Polished chrome plated ANYSTREAM Luxury Eight Showerhead. Spray adjusting T-handle. 3-1/2" face. 8 self-cleaning plunger nozzles resist scale build-up and provide 80 spray streams for a full body coverage pattern. Center core nozzles deliver 12 pulsating-massage jets. There is also a dual action combination spray. Water conserving pressure compensating AUTOFLO® device reduces flow to 2.5 GPM/9.46LPM maximum, to meet existing ASME A112.18.1 standard. Brass threaded inlet with 1/2" NPSM inlet.

SPECIFICATIONS

SUPPLY INLET: 1/2" NPSM
FLOW RATE: 2.5 GPM/ 9.46LPM MAXIMUM
SHIPPING WEIGHT: 1LBS.

OPTIONS

◇ WHT: White Finish

INSTALLATION

This showerhead comes installed with the EZ connection, which requires no pipe tape or pipe joint compound for installation. Simply attach by threading the showerhead onto the shower arm by turning in a clockwise direction. Use a cloth to protect the surface as the showerhead is tightened down using a pipe wrench or pair of pliers. Position the showerhead by rotating it clockwise. Turn the water supply on and check for leaks. Check all threaded connections periodically to make sure they are tight. If the shower outlet arm threads are damaged or not according to standard specifications, pipe tape may be required for assuring a proper seal.

OPERATION

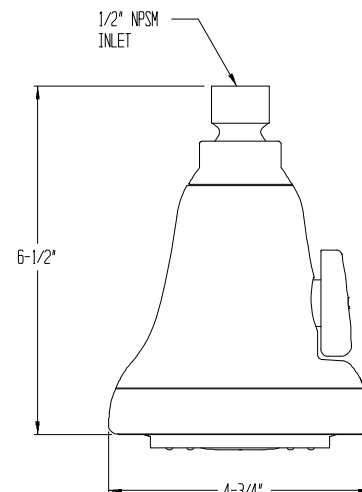
To adjust the spray pattern of the shower head, simply rotate the handle to the desired spray (Full-Body, Dual action or Massage).

MAINTENANCE

Periodic cleaning, using mild soap and warm water, will help keep your SPEAKMAN ANYSTREAM® showerhead's appearance in its original condition. For best results, dry immediately with a soft, clean cloth. Caution: Do not use harsh and/or abrasive cleaners on showerheads. In certain water conditions, mineral deposits may form. To keep your showerhead like new we recommend soaking the showerhead in 2 parts white vinegar and 1 part water for about 1 hour or more, depending on the amount of buildup. Rinse thoroughly. Brush off any remaining mineral deposits if necessary.

ROUGH-IN MEASUREMENTS

Product improvements may cause specification and dimensional changes without notice.



SPEAKMAN®

PO Box 191 Wilmington, DE 19899 Phone: 800-537-2107 Fax: 800-977-2747
Visit us on the web at www.speakmancompany.com

09/07
REV 2
92-2445