

# **SPEAKMAN COMPANY**

## **S-2904 Installation, Maintenance & Operation Instructions**

### **VERSATILE® SHOWER SYSTEM**

#### **DESCRIPTION**

White hand held shower. Includes six-foot hose, swivel shower arm holder, three way diverter valve, and three position wall bracket with screws and anchors. Spray features include soft, fast and massage. Water conserving pressure compensating AUTOFLO® device reduces flow to 2.5 GPM/9.46LPM maximum, to meet existing ANSI A112.18.1M Standard. 1/2" NPSM inlet.

#### **SPECIFICATIONS**

SUPPLY INLET: 1/2" NPSM  
FLOW RATE: 2.5 GPM/9.46LPM MAXIMUM  
FLOW CONTROL: VARIABLE  
SHIPPING WEIGHT: 2.5 LBS.

#### **INSTALLATION**

Note: All connection seals are made with a rubber washer except the showerhead connection. Firmly hand tighten rubber washer seals. If installation is using a showerhead, use teflon tape or pipe dope on the thread and wrench tighten the connection.

Swivel holder or diverter valve installation: Connect swivel shower arm holder or three way diverter to shower arm. Connect one end of hose to lower shower arm outlet. Connect other end of hose to hand held shower. If applicable connect shower head to diverter valve.

Shower arm or diverter spout hose installation: Connect one end of hose to shower arm or side outlet of diverter spout. Connect other end of hose to hand held shower.

Wall bracket installation: Mount bracket to wall using screws and anchors provided.

Turn water supply on and check for leaks.

#### **OPERATION**

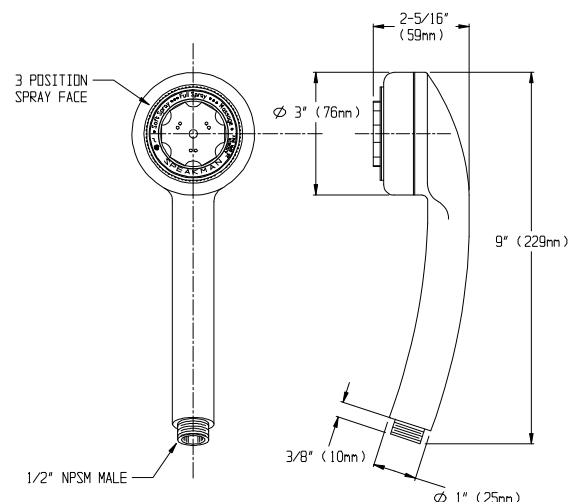
To adjust the spray pattern of the hand shower, simply rotate the outer ring to the desired spray (soft spray, fast spray or massage).

#### **MAINTENANCE**

The white finish of your SPEAKMAN VERSATILE® hand held shower can be cleaned by using mild soap and warm water. Dry immediately with a soft, clean cloth for best results. The flow control device limits water flow to 2.5 gallons per minute. The small orifices may become clogged with scale and other minerals found in potable water. To clean the flow regulator, located in the hand shower, simply remove the hose from the hand shower and clean as necessary.

Product improvements may cause specification and dimensional changes without notice.

#### **ROUGH-IN MEASUREMENTS**



Note: Accessories not shown.

# **SPEAKMAN®**

PO Box 191 Wilmington, DE 19899 Phone: 800-537-2107 Fax: 800-977-2747  
Visit us on the web at [www.speakmancompany.com](http://www.speakmancompany.com)

09/07  
REV 1  
92-1765