

SPEAKMAN COMPANY

S-2288-AF Installation, Maintenance & Operation Instructions

WATERSAVER® SHOWERHEAD

DESCRIPTION

Polished chrome plated WATERSAVER showerhead. Brass ball swivel joint. Chrome plated brass shank. Brass adjustable spray face. Water conserving pressure compensating AUTOFLO® device reduces flow to 2.5 GPM/9.46LPM maximum, to meet existing ANSI A112.18.1M Standard. Vandal resistant standard. ½" NPT inlet.

SPECIFICATIONS

SUPPLY INLET: ½" NPT
FLOW RATE: 2.5 GPM/9.46LPM MAXIMUM
FLOW CONTROL: VARIABLE
SHIPPING WEIGHT: .6 LBS.

OPTIONS

◇ BPT: ½" British Pipe Thread

INSTALLATION

Apply pipe thread tape in a clockwise direction to threads of shower arm. Pipe joint compound may be used instead of tape. Turning in a clockwise direction, thread the shower head on to the shower arm. Tighten with a pipe wrench or a pair of pliers. Turn the water supply on and check for leaks.

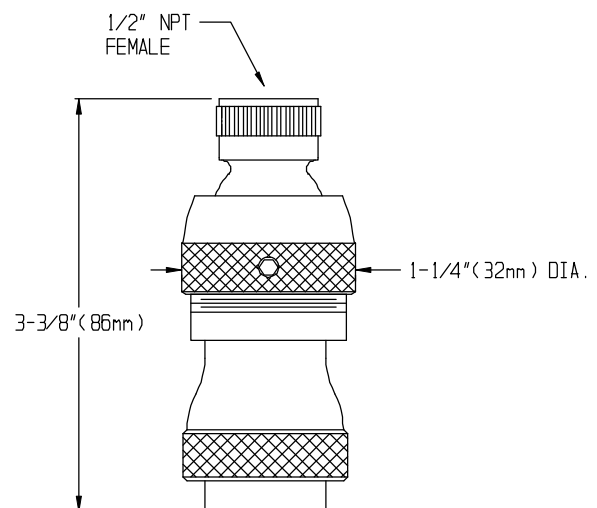
OPERATION

To adjust the spray pattern of the shower head, simply rotate the knurled collar to the desired spray.

MAINTENANCE

The gleaming finish of your SPEAKMAN WATERSAVER® showerhead can be cleaned by using mild soap and warm water. Dry immediately with a soft, clean cloth for best results. The flow control device limits water flow to 2.5 gallons per minute. The small orifices may become clogged with scale and other minerals found in potable water. To clean the flow regulator, simply remove the shower head from the bent arm, pull out the locking tab from the ball, dislodge the flow regulator and clean as necessary.

ROUGH-IN MEASUREMENTS



Product improvements may cause specification and dimensional changes without notice.