

# **SPEAKMAN COMPANY**

## **S-2220-AF Installation, Maintenance & Operation Instructions**

### **ADJUSTA-SPRAY® SHOWERHEAD**

#### **DESCRIPTION**

Polished chrome plated ADJUSTA-SPRAY showerhead. Brass ball swivel joint. Chrome plated shank. Spray adjusting T-handle. 2-1/4" face. 40 spray slots at various angles for complete coverage. Water conserving pressure compensating AUTOFLO® device reduces flow to 2.5 GPM/9.46LPM maximum, to meet existing ANSI A112.18.1M Standard. 1/2" NPT inlet.

#### **SPECIFICATIONS**

SUPPLY INLET: 1/2" NPT  
FLOW RATE: 2.5 GPM/9.46LPM MAXIMUM  
SHIPPING WEIGHT: 0.38 LBS.

#### **OPTIONS**

- |                            |
|----------------------------|
| ◇ BPT: British Pipe Thread |
| ◇ VR: Vandal Resistant     |

#### **INSTALLATION**

Apply pipe thread tape in a clockwise direction to threads of shower arm. Pipe joint compound may be used instead of tape. Turning in a clockwise direction, thread the shower head on to the shower arm. Tighten with a pipe wrench or a pair of pliers. Position the shower head by rotating it clockwise. Make sure the ball joint coupling nut is properly tightened. Turn the water supply on and check for leaks.

#### **OPERATION**

To adjust the spray pattern of the shower head, simply rotate the handle to the desired spray.

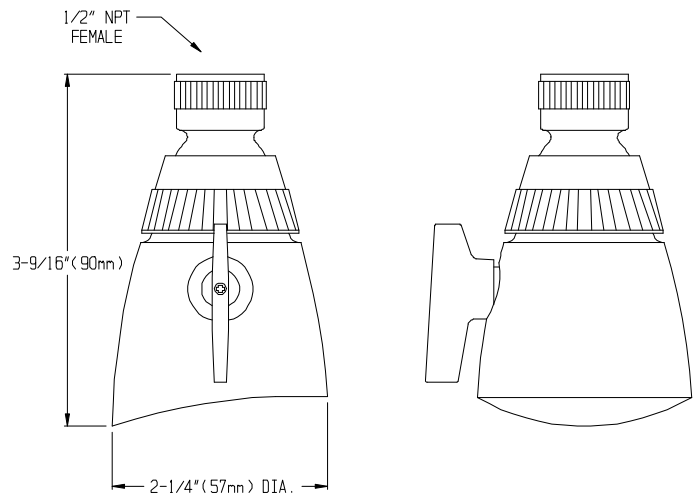
#### **MAINTENANCE**

Periodic cleaning, using mild soap and warm water, will help keep your SPEAKMAN ANYSTREAM® showerhead's appearance in its original condition. For best results, dry immediately with a soft, clean cloth.

Caution: Do not use harsh and/or abrasive cleaners on showerheads.

In certain water conditions, mineral deposits may form. To keep your showerhead like new we recommend soaking the showerhead in 2 parts white vinegar and 1 part water for about 1 hour or more, depending on the amount of buildup. Rinse thoroughly. Brush off any remaining mineral deposits if necessary.

#### **ROUGH-IN MEASUREMENTS**



Product improvements may cause specification and dimensional changes without notice.

**SPEAKMAN®**

PO Box 191 Wilmington, DE 19899 Phone: 800-537-2107 Fax: 800-977-2747  
Visit us on the web at [www.speakmancompany.com](http://www.speakmancompany.com)

09/07  
REV 1  
92-1740