

**SPEAKMAN COMPANY**  
**S-3245 Installation, Maintenance & Operation Instructions**  
**COMMANDER® HEALTHCARE**  
**BEDPAN WASHER HOSE ASSEMBLY**

**DESCRIPTION**

Speakman chrome plated spray outlet. Insulated handle. 69" white vinyl reinforced hose. 3/4" NH female inlet.

**SPECIFICATIONS**

INLET SUPPLY: 3/4" NH FEMALE.

SHIPPING WEIGHT: XXX LBS.

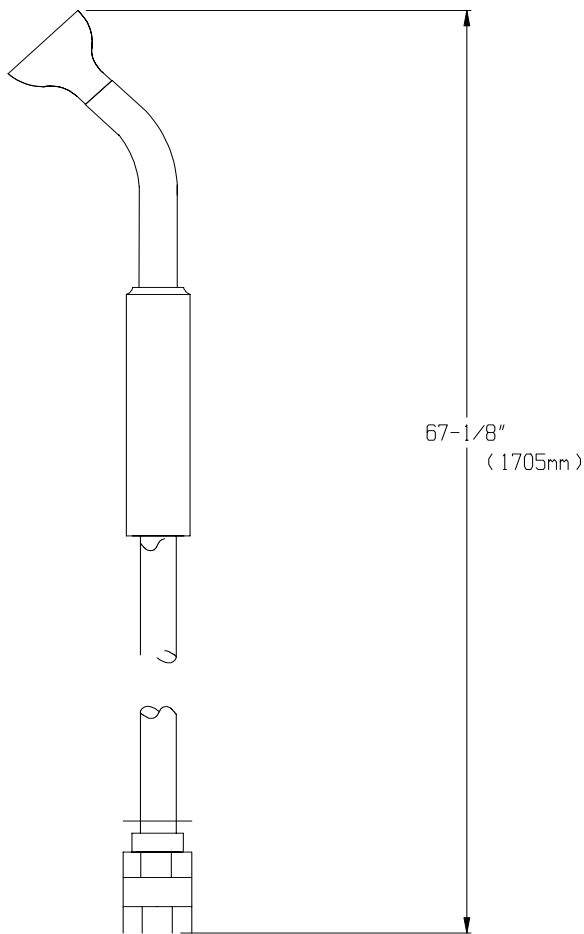
**INSTALLATION**

Screw onto 3/4" NH male supply. Firmly hand tighten both sides of coupling connections.

**MAINTENANCE** (CARE and CLEANING)

The finish of your SPEAKMAN COMMANDER® HEALTHCARE bedpan washer hose assembly can be cleaned by using a mild soap and warm water. Dry immediately with a soft, clean cloth for best results.

**ROUGH-IN MEASUREMENTS**



NOTES:

1. INLET IS 3/4"NH FEMALE.
2. ALL DIMENSIONS ARE IN INCHES (MILLIMETERS) UNLESS OTHERWISE SPECIFIED AND ARE SUBJECT TO CHANGE WITHOUT NOTICE.