

SPEAKMAN COMPANY

S-1555 Installation, Maintenance & Operation Instructions

DIVERTER TUB SPOUT

DESCRIPTION

Speakman polished chrome plated brass diverter spout.

SPECIFICATIONS

3/4" NPT FEMALE INLET

3/4" x 1/2" NPT BRASS FLUSH BUSHING SUPPLIED STANDARD

SHIPPING WEIGHT: XXX LBS.

INSTALLATION

Apply teflon tape or pipe dope to male threads and thread spout onto piping. Wrench tighten carefully. Check all connections for leaks.

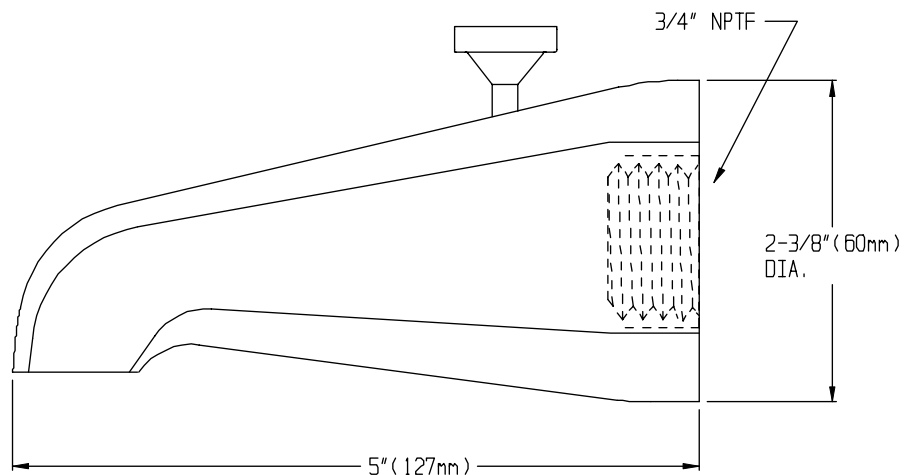
OPERATION

To operate the diverter, simply lift the diverter button while the water is running. When the water is shut off the button will fall back into place.

MAINTENANCE

The gleaming finish of your SPEAKMAN tub spout can be cleaned by using mild soap and warm water. Dry immediately with a soft, clean cloth for best results.

ROUGH IN MEASUREMENTS



Product improvements may cause specification and dimensional changes without notice.

SPEAKMAN COMPANY
P.O. Box 191, Wilmington, DE 19899-0191 USA
1-800-537-2107, Fax: 1-800-977-2747
Website: www.speakmancompany.com

04/00
92-1821