

SPEAKMAN COMPANY
S-8620 Installation, Maintenance & Operation Instructions
SENSORFLO®
SURGEON SCRUB SINK WALL MOUNTED GOOSENECK SPOUT

DESCRIPTION

Speakman chrome plated brass gooseneck spout for use on vertical or wall mounted style surgical scrub sinks. Integral spray head with removable spray face. Stainless steel braided supply hose with 3/8" compression swivel female connection.

SPECIFICATIONS

INLET SUPPLY: 3/8" COMPRESSION W/MALE THREAD
SHIPPING WEIGHT: XXX LBS.

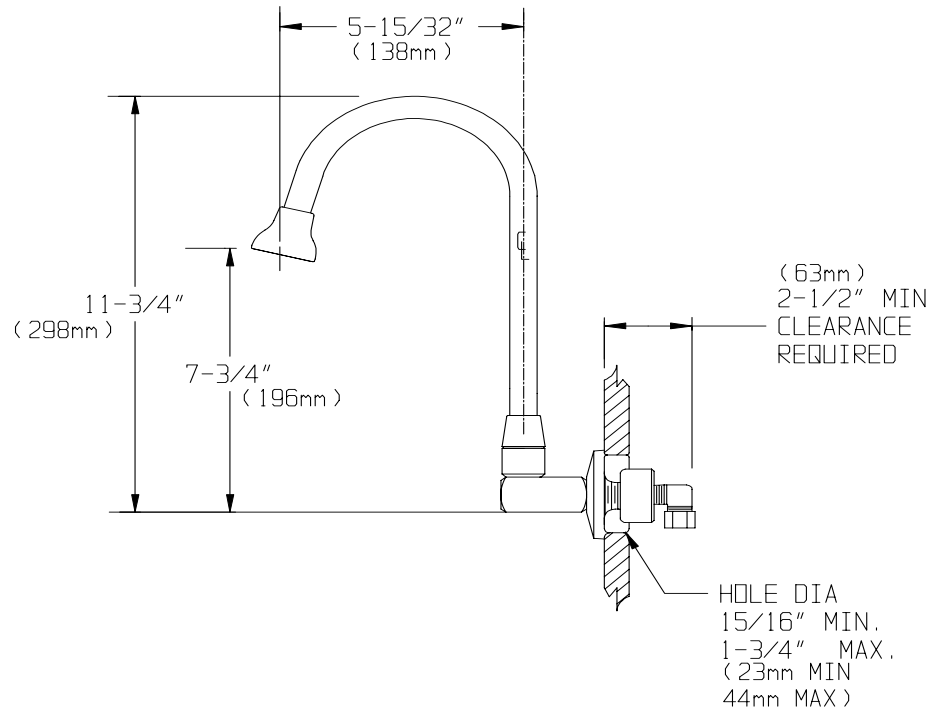
INSTALLATION

Feed spout assembly through sink hole. With the help of an assistant to hold the spout in position, slip washer and nut over hose and onto mounting adapter. Securely fasten spout assembly to wall of sink using a wrench.

MAINTENANCE (CARE and CLEANING)

Periodically remove spray face and clean out any clogged spray holes. The gleaming finish of your SPEAKMAN SENSORFLO® gooseneck spout can be cleaned by using mild soap and warm water. Dry immediately with a soft, clean cloth for best results.

ROUGH-IN MEASUREMENTS



NOTES:

1. ALL DIMENSIONS ARE IN INCHES (MILLIMETERS) UNLESS OTHERWISE SPECIFIED AND ARE SUBJECT TO CHANGE WITHOUT NOTICE.
2. INLET HOSE WITH 3/8" COMPRESSION SWIVEL FEMALE CONNECTIONS SUPPLIED.

SPEAKMAN®
PO Box 191 Wilmington, DE 19899 Phone: 800-537-2107 Fax: 800-977-2747
Visit us on the web at www.speakmancompany.com

06/00
92-2034