

SPEAKMAN COMPANY

S-4123 Installation, Maintenance & Operation Instructions

EASY-PUSH®

METERING LAVATORY FITTING

DESCRIPTION

Speakman polished chrome plated all brass EASY-PUSH metering wash-up fitting with rigid shanks. Integral brass spout measuring 3 ½" from center of inlet to center of outlet. EASY-PUSH handle with brass yoke. Concealed cycle adjustment without shutting off water supply. Non-hammering operating unit protected by monel mesh screens. Vandal-resistant standard. Water conserving AUTOFLO® device reduces flow to .25 GPC/ .946 LPC to meet existing ANSI A112.18.1M Standard.

SPECIFICATIONS

SUPPLY: COUPLING OR SWEAT CONNECTIONS.
 FLOW RATE: .25 GPC/.946 /LPC
 SHIPPING WEIGHT: XXX LBS.

OPTIONS

◇ BOCA – Vandal-Resistant 0.5 gpm Flow Regulator	
◇ PALM – Palm Button	

INSTALLATION

Apply sealant around base/recess area (underside) of faucet. Place faucet in position on sink or countertop and push down firmly to seal. Working from under the bowl slip cup washer onto shank and screw locknut up hand tight. Using a basin wrench tighten locknut. NOTE: 50 FT-LBS MAX. Wipe off excess sealant from around faucet base. Connect water supply line to inlet shank and tighten coupling nut with wrench. Make sure flush plug are secure in the faucet and outlet device is removed. Flush line by turning on water supply to faucet. Flush line until water supply is clean of all foreign matter. Turn off water supply and remove flush plug. Before installing metering mounting, remove as much of the standing water in the faucet as possible. This prevents a detrimental pressure build up that can occur during assembly. Guide mounting into faucet making sure not to nick o-ring. If excessive resistance is felt, relieve the pressure by pushing down on the adjusting piece. Screw mounting into faucet. Wrench tighten. Assemble outlet device to outlet of faucet. Loosen the two setscrews in the hub using an allen wrench. Insert metering handle assembly into the hub. NOTE: BE SURE THE BOTTOM PART OF YOKE IS IN CONTACT WITH THE TOP OF THE HUB. Tighten the two setscrews in the hub. Turn water supply on and check for leaks.

MOUNTING CYCLE TIME ADJUSTMENT INSTRUCTIONS:

Turn handle adjusting screw with allen wrench clockwise (in) for a shorter cycle time and counterclockwise (out) for a longer cycle time. Push handle to cycle unit. If cycle is not satisfactory, readjust screw.

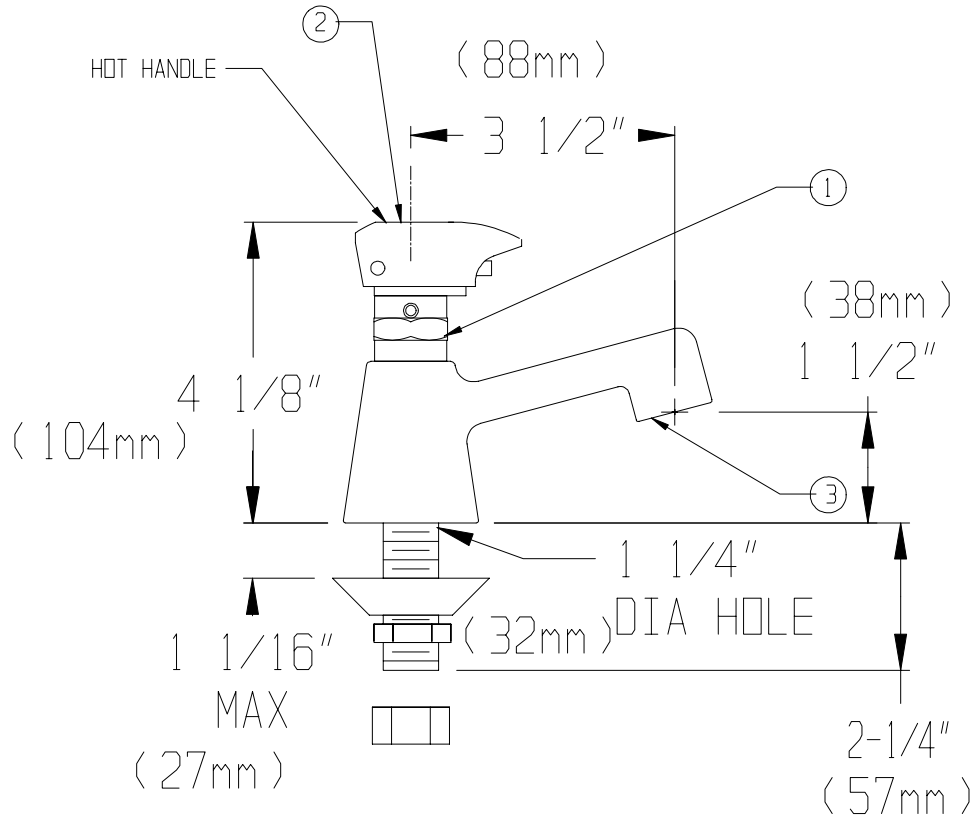
OPERATION

Simply push on the EASY-PUSH handle to operate the lavatory faucet.

MAINTENANCE (CARE and CLEANING)

The water supply to the metering faucet must be clean with no contaminates. If it is not then the metering mounting and outlet device will have to be cleaned periodically. The gleaming finish of your SPEAKMAN Commander lavatory faucet can be cleaned by using mild soap and warm water. Dry immediately with a soft, clean cloth for best results.

ROUGH-IN MEASUREMENTS



NOTES:

1. INLET IS SIZED FOR EITHER COUPLING OR SWEAT CONNECTIONS.
2. ALL DIMENSIONS ARE IN INCHES (MILLIMETERS) UNLESS OTHERWISE SPECIFIED AND ARE

REPAIR / REPLACEMENT PARTS

<u>ITEM NO.</u>	<u>PART OR GROUP NUMBER</u>	<u>DESCRIPTION</u>
1	G05-0441-RPR	EASY-PUSH REPLACEMENT UNIT LESS HANDLE ASSEMBLY
2	RPG11-0032	HOT HANDLE ASSEMBLY
3	RPG05-0674-PC	2.2 GPM AERATOR ASSEMBLY
NS	RPG05-0465	CHAMBER REPAIR KIT
NS	RPG45-0021	CHAMBER WASHER KIT

SPEAKMAN®