

SPEAKMAN COMPANY

S-4125, 26, & 27 Installation, Maintenance & Operation Instructions

EASY-PUSH®

METERING SINGLE BASIN FITTING

DESCRIPTION

Speakman polished chrome plated all brass EASY-PUSH metering single basin, front push, fitting with rigid shanks. Integral brass spout measuring 3-5/8" from center of inlet to center of outlet. EASY-PUSH handle (S-4125 Plain, S-4126 Hot, & S-4127 Cold) with brass yoke. Concealed cycle adjustment without shutting off water supply. Non-hammering operating unit protected by monel mesh screens. Vandal-resistant standard. Water conserving AUTOFLO® device reduces flow to .25 GPC/ .946 LPC to meet existing ANSI A112.18.1M Standard.

SPECIFICATIONS

SUPPLY: COUPLING OR SWEAT CONNECTIONS.

FLOW RATE: .25 GPC/.946 /LPC

SHIPPING WEIGHT: XXX LBS.

OPTIONS

◇ BOCA – Vandal-Resistant 0.5 gpm Flow Regulator	◇ 4DP- 4" (Centers) Deck Plate
◇ PALM – Palm Button	

INSTALLATION

Note- If applicable, install the anti-rotation pin into body hole and drill hole in sink/countertop (See separate instruction/template sheet located in the hardware bag group).

Install friction/seal gasket onto shank of faucet. Place faucet in position on sink or countertop. Working from under the bowl, slip cup washer onto shank and screw locknut up hand tight. Using a basin wrench, tighten locknut.

NOTE: 50 FT-LBS MAX. Connect water supply line to inlet shank and tighten coupling nut with wrench.

Make sure flush plug is secure in the faucet and outlet device is removed. Flush line by turning on water supply to faucet. Flush line until water supply is clean of all foreign matter. Turn off water supply and remove flush plug.

Before installing metering mounting, remove as much of the standing water in the faucet as possible. This prevents a detrimental pressure build up that can occur during assembly. Guide mounting into faucet making sure not to nick o-ring. If excessive resistance is felt, relieve the pressure by pushing down on the adjusting piece. Screw mounting into faucet. Wrench tighten. Assemble outlet device to outlet of faucet.

Loosen the two setscrews in the hub using an allen wrench. Insert metering handle assembly into the hub. NOTE: BE SURE THE BOTTOM PART OF YOKE IS IN CONTACT WITH THE TOP OF THE HUB. Tighten the two setscrews in the hub. Turn water supply on and check for leaks.

MOUNTING CYCLE TIME ADJUSTMENT INSTRUCTIONS:

Note- Also see #92-0240 Mounting Cycle Time Adjustment Instruction Sheet

Turn handle adjusting screw with allen wrench clockwise (in) for a shorter cycle time and counterclockwise (out) for a longer cycle time. Push handle to cycle unit. If cycle is not satisfactory, readjust screw.

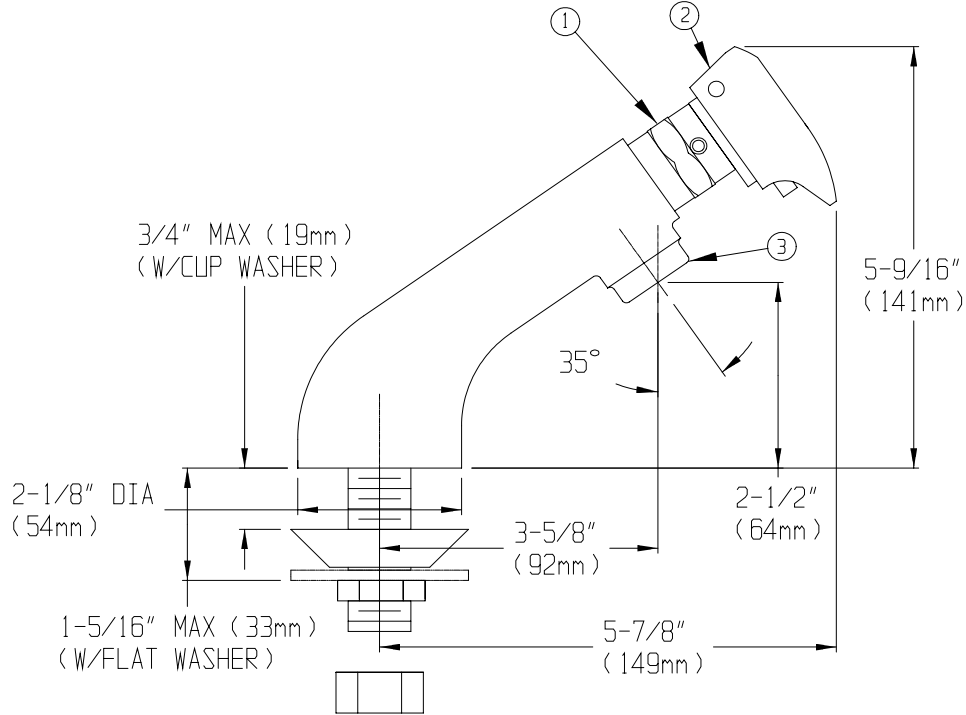
OPERATION

Simply push on the EASY-PUSH handle to operate the lavatory faucet.

MAINTENANCE (CARE and CLEANING)

The water supply to the metering faucet must be clean with no contaminants. If it is not then the metering mounting and outlet device will have to be cleaned periodically. The gleaming finish of your SPEAKMAN Commander lavatory faucet can be cleaned by using mild soap and warm water. Dry immediately with a soft, clean cloth for best results.

ROUGH-IN MEASUREMENTS



- NOTES:
 1. INLET IS SIZED FOR EITHER COUPLING OR SWEAT CONNECTIONS.
 2. ALL DIMENSIONS ARE IN INCHES (MILLIMETERS) UNLESS OTHERWISE SPECIFIED AND ARE SUBJECT TO CHANGE WITHOUT NOTICE.

REPAIR / REPLACEMENT PARTS

<u>ITEM NO.</u>	<u>PART OR GROUP NUMBER</u>	<u>DESCRIPTION</u>
1	G05-0441-RPR	EASY-PUSH REPLACEMENT UNIT LESS HANDLE ASSEMBLY
2	RPG11-0034	PLAIN HANDLE ASSEMBLY
	RPG11-0035	HOT HANDLE ASSEMBLY
	RPG11-0036	COLD HANDLE ASSEMBLY
3	RPG05-0674-PC	2.2 GPM AERATOR ASSEMBLY
NS	RPG05-0465	CHAMBER REPAIR KIT
NS	RPG45-0021	CHAMBER WASHER KIT

SPEAKMAN®

PO Box 191 Wilmington, DE 19899 Phone: 800-537-2107 Fax: 800-977-2747
 Visit us on the web at www.speakmancompany.com