

# **SPEAKMAN COMPANY**

## **SE-700 Installation, Maintenance & Operation Instructions**

### **EYESAVER® LABORATORY EYEWASHES AND SHOWERS**

#### **DESCRIPTION**

Deck mounted laboratory shower supplied with stay-open full flow ball valve, flange with riser for deck mounting, and shower head activated by pull lever.

#### **SPECIFICATIONS**

SHOWER HEAD: 5" Chrome-Plated Brass with Holes.

VALVE: 3/4" NPT Female Brass, Chrome-Plated.

ACTIVATOR: Brass Pull Lever, Chrome-Plated.

RISER: 3/4" Chrome-Plated Brass.

INLET: 3/4" NPSM

FINISH: Polished Chrome.

SHIPPING WEIGHT: 16 lb.

EMERGENCY SIGN: 7-7/8" x 7-7/8" Plastic Wall Sign.

#### **OPTIONS**

◇ AL1 (Air Horn Alarm)	◇ AL3-C1D2 (Electrical Alarm / Haz. Area)	◇ VPL (Vapor Proof Light)
◇ AL2 (Electrical Alarm)	◇ FLW (Flow Switch)	◇ SGN5 (Shower Floor Sign)
◇ AL3 (Electrical Alarm)	◇ FPV (Anti-Freeze Protection Valve)	◇
◇ AL2-C1D2 (Electrical Alarm / Haz. Area)	◇ SPV (Anti-Scald Protection Valve)	◇

#### **INSTALLATION**

Review drawing (as shown on other side) to assure proper installation and assembly of emergency shower. At desired location, drill a 1-1/4" diameter hole through countertop(2-1/4" max.). Be sure the hole is drilled as straight as possible. Assemble upper section (bent riser) of shower to lower section (valve, union, etc.), making sure that lever handle is located on right side when completely assembled. Use pipe sealant on all connections. Attach shower to countertop using supplied hardware. Mount support hanger to wall or suitable structure, and attach to shower. Attach shower head to end of bent riser. Connect a water supply to unit that is a 3/4" minimum uninterrupted source of potable water. Failure to use potable water can result in emergency units producing impure or contaminated water causing possible further injury

#### **OPERATION**

The shower is activated by pulling the lever handle down 90°. Once the unit is activated, water will discharge from the shower head until the lever handle is manually pushed back to the off position.

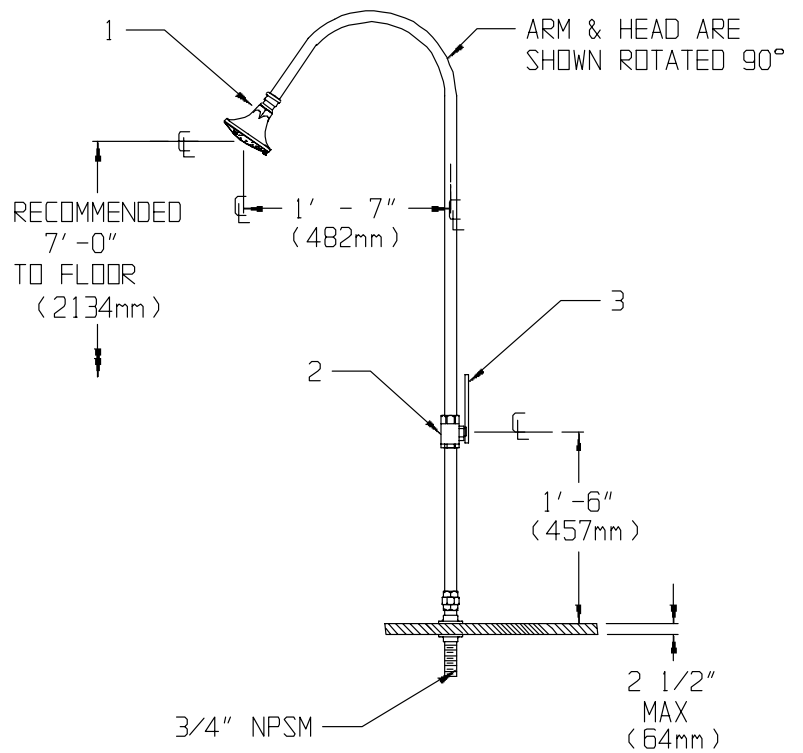
#### **TESTING PROGRAM**

The American National Standards Institute (ANSI) states that all safety emergency equipment shall be activated on a weekly basis to flush the line and verify proper operation. Speakman Company furnishes a testing record tag (91-0635) with each unit. On this tag the date of inspection and the inspectors initials should be noted.

**MAINTENANCE**

Should you need parts to repair this unit, please reference the parts list below for correct part numbers. Reference additional technical sheet (supplied) for information on the SE-855 shower head. Before any maintenance is done **be sure to shut the water supply off.**

**WARNING: Use only genuine Speakman parts when repairing or replacing components. To order parts call 1-800-537-2107.**



**SE-700 REPLACEMENT/REPAIR PARTS**

<u>ITEM</u>	<u>PART/GROUP #</u>	<u>DESCRIPTION</u>
1	SE-855	5" Dia. Shower Head, Chrome-Plated
2	20-0845-PC	3/4" Ball Valve
3	04-0349-PC	Lever Handle for Ball Valve

**FLOW DATA**

SHOWER:

FLOW PRESSURE PSI (BAR)	30 (2.07)
FLOW RATE GPM (LPM)	30 (114)

NOTE: This unit should be connected to an uninterrupted source of potable water, with a minimum flowing pressure of 20 PSI and a maximum static pressure of 125 PSI.

Note: All units meet existing ANSI Z358.1 1998 Standards and OSHA Rules. Product improvements may cause specification and dimensional changes without notice.

**SPEAKMAN®**

PO Box 191 Wilmington, DE 19899 Phone: 800-537-2107 Fax: 800-977-2747  
 Visit us on the web at [www.speakmancompany.com](http://www.speakmancompany.com)