

SPEAKMAN COMPANY

SE-609 Installation, Maintenance & Operation Instructions

SAFE-T-ZONE® EMERGENCY SHOWER AND EYE/FACE WASH

DESCRIPTION

Floor mounted emergency deluge shower and aerated eye/face wash combination unit. Both shower and eye/face wash is supplied with a frost-proof hydrant, activated by panic handle.

SPECIFICATIONS

SHOWER HEAD: 8" Dia. CYCOLAC® Yellow Plastic.
 FROST-PROOF HYDRANT: 1-1/2" NPT Female Brass.
 FLOW CONTROL: Internal 20 gpm Regulator.
 ACTIVATOR: 3/4" Dia. Brass Casted Handle.
 STANCHION: 1-1/4" IPS Steel Piping.
 INLET: 1-1/2" NPT Female (Shower)
 1" NPT Female (Eye/Face Wash)
 WASTE: 1-1/4" NPT Female.
 FLOOR FLANGE: Brass Casting with (3) 17/32" Dia. Mounting Holes on
 9" Dia. Bolt Circle, Spaced 120° apart.
 FINISH: Safety Green Paint.
 EYE/FACE WASH: SE-400 (Reference additional SE-400 I,M,O sheet)
 SHIPPING WEIGHT: 117 lb.
 EMERGENCY SIGN: 7-7/8" x 12" Plastic Wall Sign.

OPTIONS

◇ AL2 (Electrical Alarm)	◇ FLW (Flow Switch)	◇ SGN6 (Combination Floor Sign)
◇ AL3 (Electrical Alarm)	◇ PC (Polished Chrome Shower Head)	◇ VPL (Vapor Proof Light)
◇ AL2-C1D2 (Electrical Alarm / Haz. Area)	◇ BH (Brass Shower Head)	◇
◇ AL3-C1D2 (Electrical Alarm / Haz. Area)	◇ SSH (Stainless Steel Shower Head)	◇

INSTALLATION

Review drawing (as shown on other side) to assure proper installation and assembly of emergency shower & eye/face wash and frost-proof hydrants. The hydrants are designed to be buried and connected to a under ground supply, that has a 1-1/2" minimum uninterrupted source of potable water. Failure to use potable water can result in emergency units producing impure or contaminated water causing possible further injury. *Be sure that the hydrants are as plumb as possible, and that a minimum of (3) cubic feet of crushed stone is around the supplies to allow proper drainage of hydrants.* Mount the bottom stanchion section to an adequate base using suitable anchors. Assemble shower head to shower arm using thread sealant that is applicable for ABS plastic. Assemble top section, and shower arm to bottom section, use thread sealant on all piping connections. Assemble hydrants to the shower stanchion (1-1/2" union) and eye/face wash (3/4" union), using pipe dope on these connections.

OPERATION

The shower and eye/face wash are operated by pushing or pulling the panic handles 90° to the horizontal position. Once activated the water will continue to discharge until the handles are manually put back in the vertical off position.

TESTING PROGRAM

The American National Standards Institute (ANSI) states that all safety emergency equipment shall be activated on a weekly basis to flush the line and verify proper operation. Speakman Company furnishes a testing record tag (91-0635) with each unit. On this tag the date of inspection and the inspector's initials should be noted.

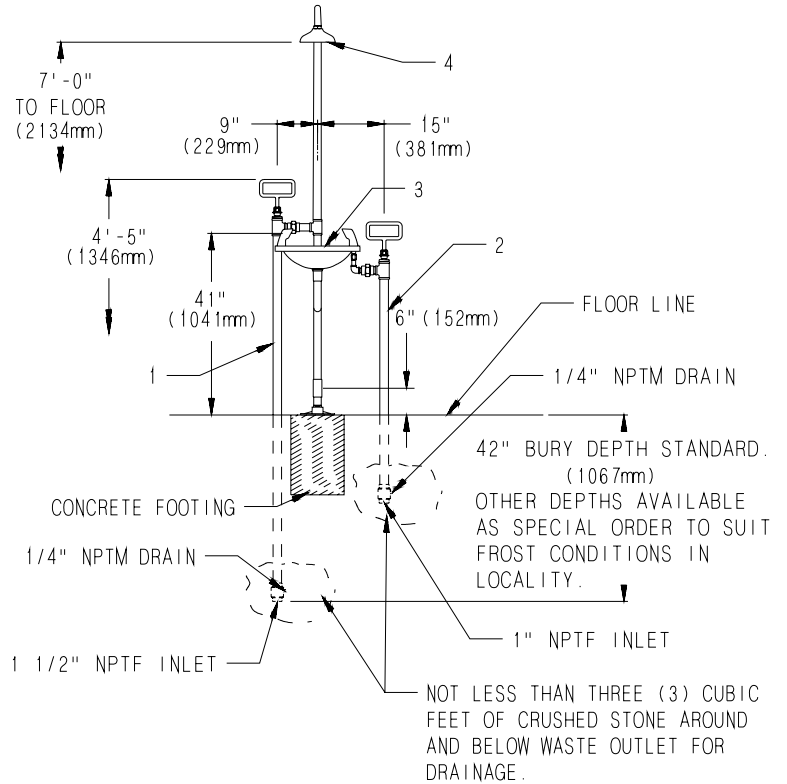
MAINTENANCE

The valve and the eye/face wash are the only portion of the unit that may require maintenance. Should you need parts to repair this unit, please reference the parts listing below for correct part numbers. Reference additional technical sheets (supplied) for information on the SE-400 eye/face wash and SE-870 shower head. Before any maintenance is done **be sure to shut the water supply off.**

WARNING: Use only genuine Speakman parts when repairing or replacing components. To order parts call 1-800-537-2107.

SE-609 REPLACEMENT/REPAIR PARTS

ITEM	PART/GROUP #	DESCRIPTION
1	G20-1722	1-1/2" FP Hydrant
2	G20-1723	3/4" FP Hydrant
3	SE-400	Eye/Face Wash
4	SE-870	8" Plastic Shower Head



FLOW DATA

SHOWER:

FLOW PRESSURE	PSI (BAR)	30 (2.07)	60 (4.14)
FLOW RATE	GPM (LPM)	20 (75)	25 (94)

EYE/FACE WASH:

FLOW PRESSURE	PSI (BAR)	30 (2.07)
FLOW RATE	GPM (LPM)	9.55 (36.6)

NOTE: This unit should be connected to an uninterrupted source of potable water, with a minimum flowing pressure of 30 PSI and a maximum static pressure of 80 PSI.

Note: All units meet existing ANSI Z358.1 1998 Standards and OSHA Rules. Product improvements may cause specification and dimensional changes without notice.

SPEAKMAN®

PO Box 191 Wilmington, DE 19899

Phone: 800-537-2107 Fax: 800-977-2747

Visit us on the web at www.speakmancompany.com

9/02

92-1479 Rev-4