

SPEAKMAN COMPANY

SE-253-SS Installation, Maintenance & Operation Instructions

LIFESAVER® EMERGENCY SHOWER

DESCRIPTION

Floor mounted emergency deluge shower supplied with stay-open full flow ball valve activated by triangular pull rod.

SPECIFICATIONS

SHOWER HEAD: 8" Dia. Stainless Steel.
 FLOW CONTROL: Internal 20 gpm Restrictor.
 VALVE: 1" NPT Female Stainless Steel. Stay-Open Valve.
 ACTIVATOR: Stainless Steel Pull Rod.
 STANCHION: 1-1/4" IPS Steel Piping.
 INLET: 1-1/4" NPT Female.
 FLANGE: Stainless Steel.
 FINISH: Stainless Steel.
 SHIPPING WEIGHT: 40 lb.
 EMERGENCY SIGN: 7-7/8" x 7-7/8" Plastic Wall Sign.

OPTIONS

◇ AL1 (Air Horn Alarm)	◇ FLW (Flow Switch)	◇ SPV (Anti-Scald Protection Valve)
◇ AL2 (Electrical Alarm)	◇ STALL (Shower Stall)	◇ VPL (Vapor Proof Light)
◇ AL3 (Electrical Alarm)	◇ PC (Polished Chrome Shower Head)	◇ SGN5 (Shower Floor Sign)
◇ AL2-C1D2 (Electrical Alarm / Haz. Area)	◇ BH (Brass Shower Head)	◇
◇ AL3-C1D2 (Electrical Alarm / Haz. Area)	◇ FPV (Anti-Freeze Protection Valve)	◇

INSTALLATION

Use couplings and pipe to secure and gain leverage. Be sure and use pipe sealant on all threaded connections. When using SE-870 (plastic shower head), use sealant compatible with ABS plastic.

Review drawing (as shown on other side) to assure proper location of inlets and accessories.

The best method to assembling this unit is as follows: (1) Mount the bottom stanchion section to the floor using suitable anchors. Then assemble the middle section and then the top section. (Use pipe sealant on all joints). (2) Assemble pull rod and shower head. (3) Once unit is completely assembled, connect potable water supply to 1-1/4" top inlet. Failure to use potable water can result in emergency units producing impure or contaminated water causing possible further injury.

OPERATION

This shower is activated by pulling downward on the stainless steel pull rod. The valve will continue to discharge water until the rod is manually pushed back up to the off position.

TESTING PROGRAM

The American National Standards Institute (ANSI) states that all safety emergency equipment shall be activated on a weekly basis to flush the line and verify proper operation. Speakman Company furnishes a testing record tag (91-0635) with each unit. On this tag the date of inspection and the inspectors initials should be noted.

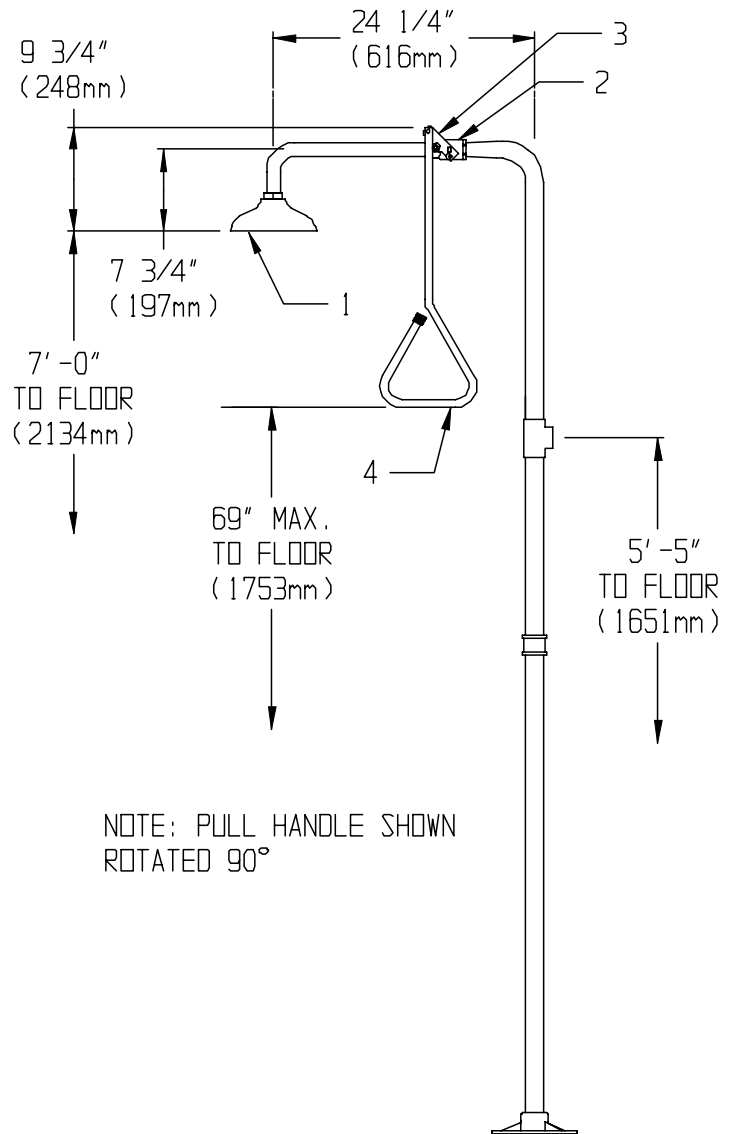
MAINTENANCE

Should you need parts to repair this unit, please reference the parts listing below for correct part numbers. Reference additional technical sheets (supplied) for information on the SE-911-PR-SS stay-open valve and the SE-880 shower head. Before any maintenance is done **be sure to shut the water supply off.**

WARNING: Use only genuine Speakman parts when repairing or replacing components. To order parts call 1-800-537-2107.

SE-253-SS REPLACEMENT/REPAIR PARTS

<u>ITEM</u>	<u>PART/GROUP #</u>	<u>DESCRIPTION</u>
1	SE-880	8" Stainless Steel Shower Head
2	SE-911-PR-SS	1" Stay-Open Valve
3	G04-0722	Short Lever Handle w/Plunger
4	G47-0046-29	Stainless Steel Pull Rod



FLOW DATA

SHOWER:

FLOW PRESSURE	PSI (BAR)	20 (1.38)	60 (4.14)
FLOW RATE	GPM (LPM)	20 (75)	25 (94)

NOTE: This unit should be connected to an uninterrupted source of potable water, with a minimum flowing pressure of 20 PSI and a maximum static pressure of 125 PSI.

Note: All units meet existing ANSI Z358.1 1998 Standards and OSHA Rules. Product improvements may cause specification and dimensional changes without notice.

SPEAKMAN®

PO Box 191 Wilmington, DE 19899 Phone: 800-537-2107 Fax: 800-977-2747
 Visit us on the web at www.speakmancompany.com