

SPEAKMAN COMPANY
SE-212 Installation, Maintenance & Operation Instructions
LIFESAVER® EMERGENCY SHOWER

DESCRIPTION

Emergency deluge shower supplied with self-closing valve with wall flange and pulley for mounting over doorway, activated by synthetic pull cord.

SPECIFICATIONS

SHOWER HEAD: 8" Dia. CYCOLAC® Yellow Plastic.
FLOW CONTROL: Internal 20 gpm Restrictor.
VALVE: 1" NPT Female Brass, Chrome-Plated. Self-Closing Valve.
ACTIVATOR: 10' Yellow Nylon Rope.
INLET: 1" NPT Female
FLANGE: Brass, Chrome Plated.
SHIPPING WEIGHT: 4 lb.
EMERGENCY SIGN: 7-7/8" x 7-7/8" Plastic Wall Sign.

OPTIONS

◇ AL1 (Air Horn Alarm)	◇ FLW (Flow Switch)	◇ FPV (Anti-Freeze Protection Valve)
◇ AL2 (Electrical Alarm)	◇ STALL (Shower Stall)	◇ SPV (Anti-Scald Protection Valve)
◇ AL3 (Electrical Alarm)	◇ PC (Polished Chrome Shower Head)	◇ VPL (Vapor Proof Light)
◇ AL2-C1D2 (Electrical Alarm / Haz. Area)	◇ BH (Brass Shower Head)	◇ SGN5 (Shower Floor Sign)
◇ AL3-C1D2 (Electrical Alarm / Haz. Area)	◇ SSH (Stainless Steel Shower Head)	◇

INSTALLATION

Assemble unit to a 1" supply that has an uninterrupted source of potable water. Use pipe sealant on this joint. Review drawing (as shown on other side) to assure proper installation. Failure to use potable water can result in emergency units producing impure or contaminated water causing possible further injury.

OPERATION

This shower is activated by pulling downward on the pull cord. Once the valve is activated, continuous pressure on the cord is required for a constant flow of water. Valve will automatically shut off when cord is released.

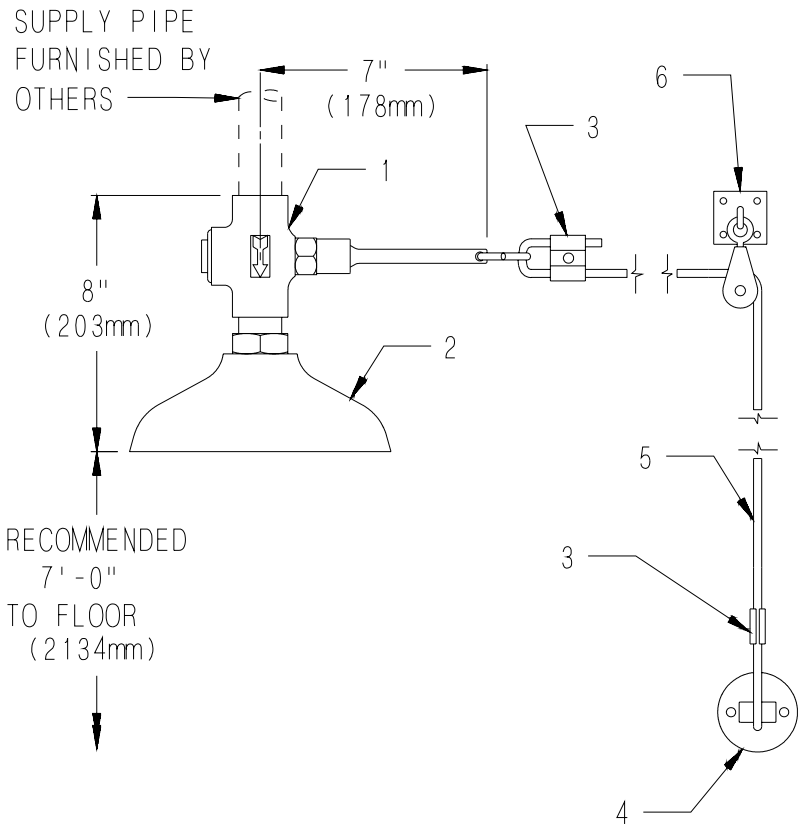
TESTING PROGRAM

The American National Standards Institute (ANSI) states that all safety emergency equipment shall be activated on a weekly basis to flush the line and verify proper operation. Speakman Company furnishes a testing record tag (91-0635) with each unit. On this tag the date of inspection and the inspectors initials should be noted.

MAINTENANCE

Should you need parts to repair this unit, please reference the parts listing below for correct part numbers. Reference additional technical sheets (supplied) for information on the SE-901 self-closing valve and the SE-870 shower head. Before any maintenance is done *be sure to shut the water supply off.*

WARNING: Use only genuine Speakman parts when repairing or replacing components. To order parts call 1-800-537-2107.



SE-212 REPLACEMENT/REPAIR PARTS

<u>ITEM</u>	<u>PART/GROUP #</u>	<u>DESCRIPTION</u>
1	SE-901	1" Self-Closing Valve
2	SE-870	8" Plastic Shower Head
3	56-0064-MO	Bracket
4	26-0197-RCP	Wall Flange
5	05-1495-MO	10' Yellow Nylon Rope
6	05-1494-RCP	Wall Pulley

FLOW DATA

SHOWER:

FLOW PRESSURE PSI (BAR)	20 (1.38)	60 (4.14)
FLOW RATE GPM (LPM)	20 (75)	25 (94)

NOTE: This unit should be connected to an uninterrupted source of potable water, with a minimum flowing pressure of 20 PSI and a maximum static pressure of 80 PSI.

Note: All units meet existing ANSI Z358.1 2004 Standards and OSHA Rules. Product improvements may cause specification and dimensional changes without notice.

SPEAKMAN®

PO Box 191 Wilmington, DE 19899 Phone: 800-537-2107 Fax: 800-977-2747
 Visit us on the web at www.speakmancompany.com