

SPEAKMAN COMPANY

SE-565 Installation, Maintenance & Operation Instructions

EYESAVER® EYEWASH

DESCRIPTION

Deck mounted emergency eyewash. Supplied with stainless steel bowl, stay-open full flow ball valve; activated by stainless steel trigger bar; adjustable volume regulator, aerated spray outlets with individual adjustments for maximum performance, and mounted on counter tops up to 2" thick.

SPECIFICATIONS

BOWL: 300 Series Stainless Steel.
 SPRAY HEADS: (2) Brass, Chrome-Plated, Aerated.
 VALVE: 1/2" NPT Female Brass, Chrome-Plated.
 ACTIVATOR: Stainless Steel Trigger Bar.
 INLET: 1/2" NPT Female.
 SHIPPING WEIGHT: 7.1 lbs.
 EMERGENCY SIGN: 7-7/8" x 7-7/8" Plastic Wall Sign.

OPTIONS

◇ AL1 (Air Horn Alarm)	◇ VPL (Vapor Proof Light)	◇ SSBV2 (1/2" Stainless Steel Valve)
◇ AL2 (Electrical Alarm)	◇ PT (P-Trap)	◇
◇ AL3 (Electrical Alarm)	◇ ILS (In-Line Strainer)	◇
◇ AL2-C1D2 (Electrical Alarm / Haz. Area)	◇ SGN4 (Eye Wash Floor Sign)	◇
◇ AL3-C1D2 (Electrical Alarm / Haz. Area)	◇ FPV (Anti-Freeze Protection Valve)	◇
◇ FLW (Flow Switch)	◇ SPV (Anti-Scald Protection Valve)	◇

INSTALLATION

Use cutting/drilling instruction template (supplied) to cut and drill holes in desired location on countertop. Once bowl is mounted securely to countertop using mounting hardware supplied, complete assembly of ball valve and push handle. Review drawing (as shown on other side) to assure proper installation. Be sure to apply a bead of waterproof caulk along edge of bowl and countertop to prevent water draining under countertop. Connect a water supply to the unit (use pipe sealant on all joints) that is a 1/2" minimum uninterrupted source of potable water. Failure to use potable water can result in emergency units producing impure or contaminated water causing possible further injury. The drain tailpiece or waste should be connected to an adequate drain in compliance with local plumbing codes. This unit is supplied with a volume control that can control the amount of water delivered, even at higher pressures. This should be set after unit is completely installed so that streams from spray outlets converge in the middle of the eyewash bowl..

OPERATION

The eyewash is activated by pushing the trigger bar back 90°. Once the unit is activated, water will discharge from the spray outlets until the trigger bar is manually pulled back to the off position.

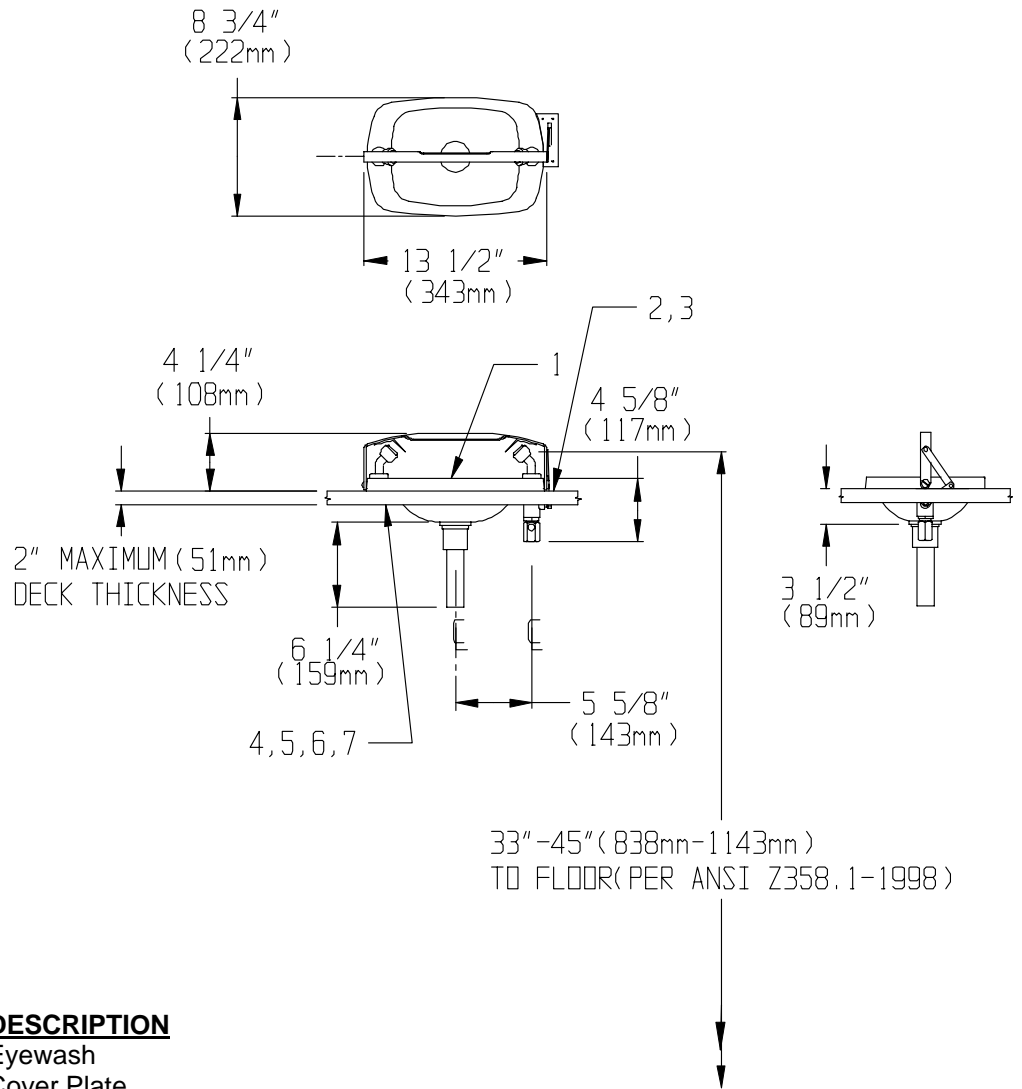
TESTING PROGRAM

The American National Standards Institute (ANSI) states that all safety emergency equipment shall be activated on a weekly basis to flush the line and verify proper operation. Speakman Company furnishes a testing record tag (91-0635) with each unit. On this tag the date of inspection and the inspectors initials should be noted.

MAINTENANCE

The valve and the eyewash are the only portions of the unit that may require maintenance. Should you need parts to repair this unit, please reference the parts listing below for correct part numbers. Reference additional technical sheet (supplied) for information on the SE-505 eyewash. Before any maintenance is done **be sure to shut the water supply off.**

WARNING: Use only genuine Speakman parts when repairing or replacing components. To order parts call 1-800-537-2107.



SE-565 REPLACEMENT/REPAIR PARTS

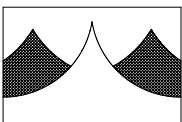
ITEM	PART/GROUP #	DESCRIPTION
1	SE-505	Eyewash
2	73-0079-MO	Cover Plate
3	48-0348	10-24 x 5/16 Fill Head SS Screw
4	01-0628-MO	1/4-20 Wing Nut
5	32-0171	1/4" #20 2-1/2" Lg. Brass Thread Screw
6	45-0173	Brass Washer
7	74-0009-MO	Brace

FLOW DATA

EYEWASH:

FLOW PRESSURE PSI (BAR)	30 (2.07)
FLOW RATE GPM (LPM)	3 (11)

NOTE: This unit should be connected to an uninterrupted source of potable water, with a minimum flowing pressure of 20 PSI and a maximum static pressure of 125 PSI.



SPEAKMAN COMPANY
The Quality leader Since 1869
P.O. Box 191, Wilmington, DE 19899-0191 USA
1-800-537-2107, Fax: 1-800-977-2747

Note: All units meet existing ANSI Z358.1 1998 Standards and OSHA Rules. Product improvements may cause specification and dimensional changes without notice.