

SPEAKMAN®

S-2530 Shower Arm Installation, Maintenance & Operation Instructions

DESCRIPTION

Speakman polished chrome plated brass curved shower arm.

SPECIFICATIONS

½" NPT MALE INLET
½" NPT MALE OUTLET
SHIPPING WEIGHT: 1.6 LBS.

OPTIONS

•PB: POLISHED BRASS	•BN: BRUSHED NICKEL
•ORB: OIL RUBBED BRONZE	

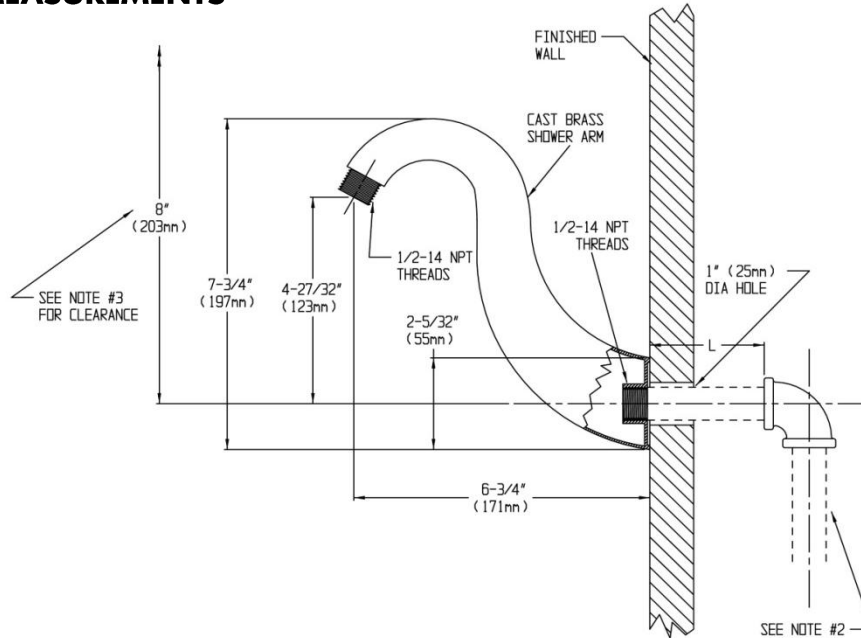
INSTALLATION

Speakman recommends the use of a qualified plumber to properly install the cast brass shower arm and to size (L) The ½"-14 NPT threaded nipple. Make sure the shower arm is tightened completely to prevent leaks. Speakman does not supply threaded nipple due to different wall constructions.

MAINTENANCE

The gleaming finish of your SPEAKMAN S-2530 shower arm can be cleaned by using mild soap and warm water. Dry immediately with a soft, clean cloth for best results.

ROUGH-IN MEASUREMENTS



NOTES:

- 1) SPEAKMAN RECOMMENDS THE USE OF A QUALIFIED PLUMBER TO PROPERLY INSTALL THE CAST BRASS SHOWER ARM AND TO SIZE THE 1/2-14 NPT THREADED NIPPLE. MAKE SURE THE SHOWER ARM IS TIGHTENED COMPLETELY TO PREVENT LEAKS.
- 2) ALL BEHIND WALL PIPING NOT SUPPLIED
- 3) MUST HAVE 8" OF CLEARANCE 360° AROUND CENTERLINE OF SHOWER ARM FOR PROPER INSTALLATION.
- 4) ALL DIMENSIONS ARE IN INCHES (MILLIMETERS) UNLESS OTHERWISE SPECIFIED AND ARE SUBJECT TO CHANGE WITHOUT NOTICE.

SPEAKMAN®

400 Anchor Mill Rd. New Castle, DE 19720 Phone: 800-537-2107
02/12 Visit us on the web at www.speakmancompany.com

Fax: 800-977-2747
S-2530-IOM-R2