

SPEAKMAN COMPANY

SE-515 Installation, Maintenance & Operation Instructions

EYESAVER® EYEWASH

DESCRIPTION

Emergency eyewash, for wall mounting, supplied with stainless steel bowl, stay-open full flow ball valve; activated by stainless steel trigger bar or foot pedal; adjustable volume regulator, heavy duty wall mounting plate and aerated spray outlets with individual adjustments for maximum performance.

SPECIFICATIONS

BOWL: 300 Series Stainless Steel.
 SPRAY HEADS: (2) Brass, Chrome-Plated, Aerated.
 VALVE: 1/2" NPT Female Brass, Chrome-Plated.
 ACTIVATOR: Stainless Steel Trigger Bar and/or Stainless Steel Foot Pedal.
 INLET: 1/2" NPT Female.
 PLATE: Cold-Rolled Steel, Painted Safety Green.
 SHIPPING WEIGHT: 13 lb.
 EMERGENCY SIGN: 7-7/8" x 7-7/8" Plastic Wall Sign.

OPTIONS

◇ AL1 (Air Horn Alarm)	◇ HS (Hand-held Spray)	◇ SSBV1 (1" Stainless Steel Valve)
◇ AL2 (Electrical Alarm)	◇ PT (P-Trap)	◇ SSBV2 (1/2" Stainless Steel Valve)
◇ AL3 (Electrical Alarm)	◇ SGN4 (Eye Wash Floor Sign)	◇ ILS (In-Line Strainer)
◇ AL2-C1D2 (Electrical Alarm / Haz. Area)	◇ FPV (Anti-Freeze Protection Valve)	◇ VPL (Vapor Proof Light)
◇ AL3-C1D2 (Electrical Alarm / Haz. Area)	◇ SPV (Anti-Scald Protection Valve)	◇
◇ FLW (Flow Switch)	◇ HFO (Hand & Foot Operation)	◇

INSTALLATION

Review drawing (as shown on other side) to assure proper location of mounting bracket, inlet, and drain before installing this unit.

The best method of installing this unit is as follows: (1) Measure up from finished floor to the desired height of the unit (reference dimensions on other side). (2) Mount unit to wall or acceptable structure using appropriate wall anchors. Make sure unit is level to assure proper flow pattern and water drainage. (3) Connect a potable water supply (1/2 " minimum) to the 1/2 " NPT inlet. (4) Connect drain tube on bottom unit to a suitable drainage system (using pipe sealant on all connections).

This unit is supplied with a volume control that can control the amount of water delivered, even at higher pressures. This should be set after unit is completely installed so that streams from spray outlets converge in the middle of the eyewash bowl.

Failure to use potable water can result in emergency units producing impure or contaminated water causing possible further injury. The drain tailpiece or waste should be connected to an adequate drain in compliance with local plumbing codes.

OPERATION

The eyewash is activated by pushing the trigger bar back 90° and/or depressing the foot pedal. Once the unit is activated, water will discharge from the spray outlets until the trigger bar is manually pulled back to the off position.

TESTING PROGRAM

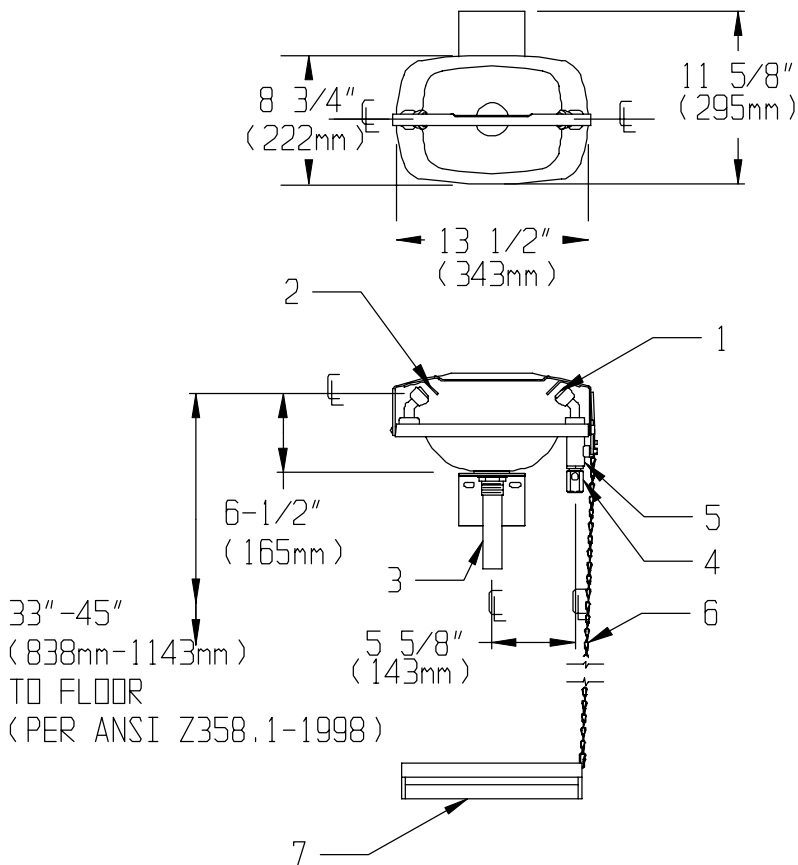
The American National Standards Institute (ANSI) states that all safety emergency equipment shall be activated on a weekly basis to flush the line and verify proper operation. Speakman Company furnishes a testing record tag

(91-0635) with each unit. On this tag the date of inspection and the inspectors initials should be noted.

MAINTENANCE

The valve and the eyewash are the only portions of the unit that may require maintenance. Should you need parts to repair this unit, please reference the parts listing below for correct part numbers. Before any maintenance is done **be sure to shut the water supply off.**

WARNING: Use only genuine Speakman parts when repairing or replacing components. To order parts call 1-800-537-2107.



SE-515 REPLACEMENT/REPAIR PARTS

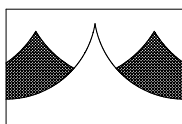
ITEM	PART/GROUP #	DESCRIPTION
1	05-1177-PC	Aerator Assy.
2	10-0227	Spray Shield
3	G24-0088-PC	Strainer Drain
4	G20-1720-RCP-P	VPL Control 1/2" x 1/2" Safety
5	20-0953	1/2" Ball Valve Brass RNP
6	05-1332-RCP	32" Chain
7	04-0463	S/S Foot Pedal Assy.

FLOW DATA

EYEWASH:

FLOW PRESSURE	PSI (BAR)	30 (2.07)
FLOW RATE	GPM (LPM)	3 (11)

NOTE: This unit should be connected to an uninterrupted source of potable water, with a minimum flowing pressure of 20 PSI and a maximum static pressure of 125 PSI.



SPEAKMAN COMPANY
 The Quality leader Since 1869
 P.O. Box 191, Wilmington, DE 19899-0191 USA
 1-800-537-2107, Fax: 1-800-977-2747

Note: All units meet existing ANSI Z358.1 1998 Standards and OSHA Rules. Product improvements may cause specification and dimensional changes without notice.