

**SPEAKMAN COMPANY**

**SC-3001-LD Installation, Maintenance & Operation Instructions**  
**COMMANDER® WIDESPREAD GOOSENECK LAVATORY COMBINATION**

**DESCRIPTION**

Speakman polished chrome plated COMMANDER widespread gooseneck lavatory combination with PERFECT® valves. 1/4 turn ceramic cartridges covered by a 25 year Silver warranty. Vandal-resistant four arm handles with color-coded indexes. Brass gooseneck, swivel or rigid. Adjustable centers from 6" to 12". Accommodates installations up to 2" thick. Water conserving AUTOFLO® device reduces flow to 2.2 GPM/8.4 LPM to meet existing ANSI A112.18.1M Standard.

**SPECIFICATIONS**

SUPPLY: COUPLING OR SWEAT CONNECTIONS

FLOW RATE: 2.2 GPM/8.4 LPM, VARIABLE

SHIPPING WEIGHT: XXX LBS.

**OPTIONS**

<b>BOCA</b>	Vandal Resistant 0.5 gpm Flow Control	<b>LF</b>	Laminar Flow Outlet 2.2 gpm
<b>D75</b>	Diamond 75 Escutcheons & Handles	<b>8</b>	8" Deep Spread Gooseneck Spout
<b>FC</b>	Laminar Flow Control in Base of Spout 2.2 gpm		

**INSTALLATION**

Screw locknuts down on body assemblies. Place plated cup washers onto bodies. Working from below the sink, insert body assemblies through holes in sink or countertop. From above sink, place rubber washers onto bodies. Next, screw flange nuts onto bodies with flat side up, flush with top of bodies and tighten flange nut set screws. From under sink, screw locknuts up hand tight. Position bodies so that outlets are accessible and wrench tighten locknuts while holding bodies in place.

Apply sealant around base underside of gooseneck flange assembly. Position assembly in hole of sink or countertop and push down firmly to seal. From under sink, slip channel washer, then flange spacer onto shank of flange. Screw shank nut on and tighten. Wipe off excess sealant from around flange base.

Screw swivel tee assembly with rubber washer onto end of flange shank and tighten. NOTE: DO NOT OVER TIGHTEN.

Screw flex hose connector onto outlet of bodies and tighten. Screw other end onto swivel tee assembly and tighten.

Connect water supply lines to inlets of bodies and tighten coupling nuts.

From above sink, screw trim onto body assemblies and tighten. Slip sleeves onto spindles.

Position handles and screw onto spindles. Position index buttons on handles and press into place. Assemble gooseneck to flange assembly.

NOTE: For rigid gooseneck, place locking washer in flange assembly before assembling gooseneck.

Wrench tighten gooseneck collar nut.

With drain installed turn water supplies on and flush both hot and cold sides of fixture. Install aerator and check all connections for leaks.

**OPERATION**

Simply rotate the handles 1/4 turn maximum to operate the lavatory faucet

**MAINTENANCE (CARE AND CLEANING)**

Valves are washerless and require no routine maintenance. The gleaming finish of your SPEAKMAN COMMANDER exposed shower can be cleaned by using mild soap and warm water. Dry immediately with a soft, clean cloth for best results



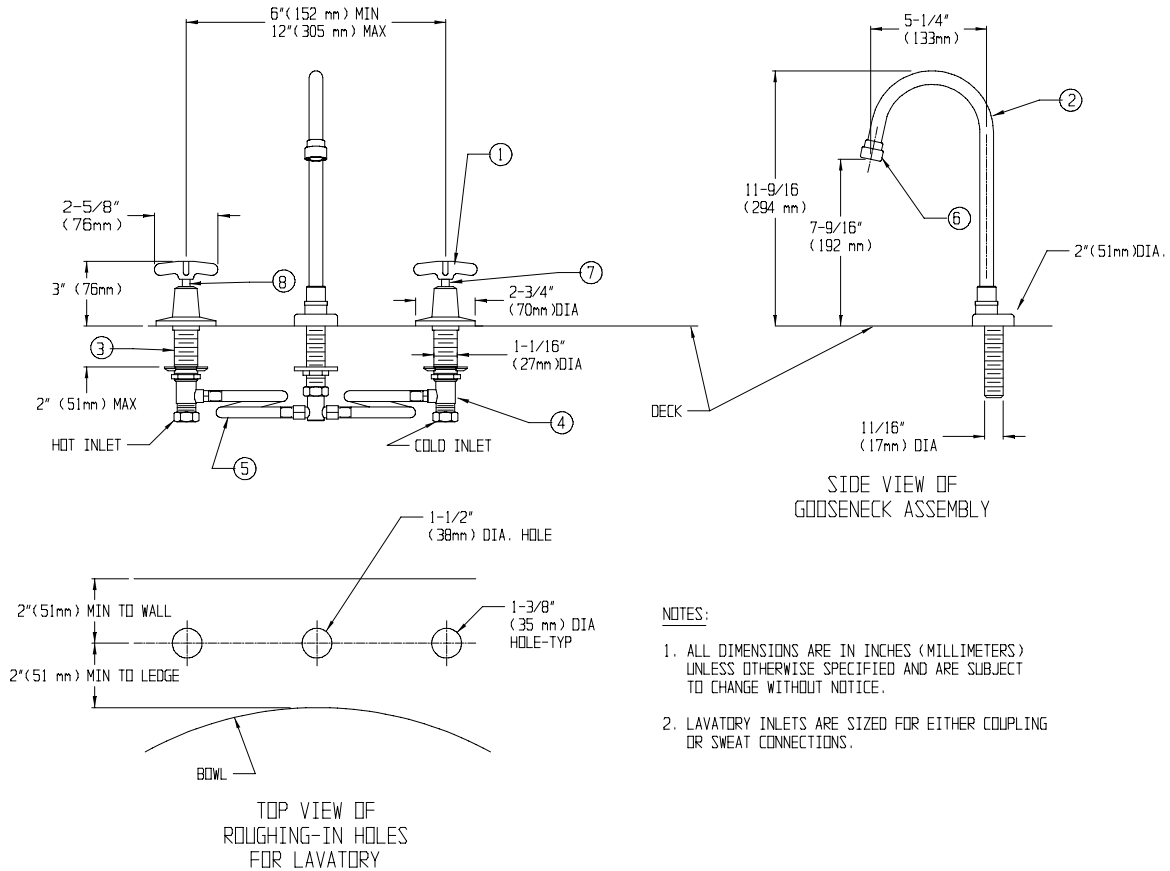
**SPEAKMAN COMPANY**  
The Difference Is The Experience  
P.O. Box 191, Wilmington, DE 19899  
Phone: 800-537-2107 Fax: 800-977-2747

06/00  
92-1898

**SPEAKMAN COMPANY**

**SC-3001-LD Installation, Maintenance & Operation Instructions**  
**COMMANDER® WIDESPREAD GOOSENECK LAVATORY COMBINATION**

**ROUGH-IN MEASUREMENTS**



**NOTES:**

1. ALL DIMENSIONS ARE IN INCHES (MILLIMETERS) UNLESS OTHERWISE SPECIFIED AND ARE SUBJECT TO CHANGE WITHOUT NOTICE.
2. LAVATORY INLETS ARE SIZED FOR EITHER COUPLING OR SWEAT CONNECTIONS.

**REPAIR / REPLACEMENT PARTS**

<u>ITEM #</u>	<u>PART/GROUP #</u>	<u>DESCRIPTION</u>
1	RP604-0323-PC	FOUR ARM HANDLE GROUP W/ SCREW AND INDEX BUTTONS
2	G99-0088-PC	GOOSENECK ASSEMBLY W/ AERATOR
3	RPG20-1895	END BODY ASSEM(RED) W/MOUNTING HARDWARE & HOSE ADAPTER
4	RPG20-1896	END BODY ASSEM(BLUE) W/MOUNTING HARDWARE & HOSE ADAPTER-
5	G63-0061	FLEX HOSE ASSEMBLY
6	G05-0674-PC	2.2 GPM AERATOR ASSEMBLY
7	RPG05-0534	PERFECT VALVE GROUP (RED) W/ TRIM SLEEVE AND SCREW
8	RPG05-0535	PERFECT VALVE GROUP (BLUE) W/ TRIM SLEEVE AND SCREW



**SPEAKMAN COMPANY**  
 The Difference Is The Experience  
 P.O. Box 191, Wilmington, DE 19899  
 Phone: 800-537-2107 Fax: 800-977-2747

06/00  
 92-1898