

# SPEAKMAN COMPANY

## VS-1122 Installation, Operation, & Maintenance Instructions "ESCAPE" COMPLETE SHOWER SYSTEM

### DESCRIPTION

VERSATILE™ chrome plated plastic/brass 3-way shower diverter. VS-82620 chrome plated plastic hand held showerhead assembly. 61" metal hose assembly. Vacuum breaker. ½"-14 NPSM threaded inlet and outlets. Three (3) operational diverter settings. No flow control in diverter. 2.5 GPM (9.46 L/min) flow control and EZ seal washer in hand held showerhead. Meets ASME A112.18.1/CSA B125.1 - 2005 Standards.

### SPECIFICATIONS

SUPPLY INLETS/OUTLETS: ½" - 14 NPSM  
FLOW RATES: 2.5 GPM / 9.46 LPM MAXIMUM  
SHIPPING WEIGHT: 1.0 LBS.

### OPTIONS

<b>BN</b> – Brushed Nickel Finish
-----------------------------------

<b>PB</b> – Polished Brass Finish
-----------------------------------

### INSTALLATION

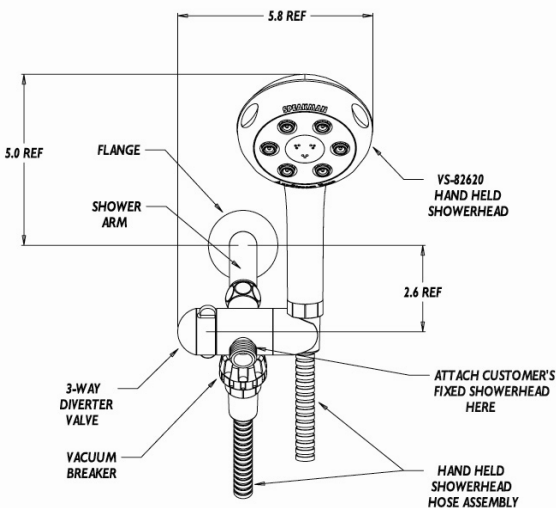
1. Remove existing showerhead from the shower arm by turning in a counterclockwise direction. Clean shower arm threads. Wrap Teflon tape clockwise onto the threads of the shower arm. 2. Screw the 3-way diverter's brass coupling nut onto the shower arm by turning it in a clockwise direction. (**Final positioning of diverter calls for hand held outlet to face away from installer**) Make sure the sealing washer is inside the brass coupling nut to prevent leaks. 3. Screw one side of your hand held showerhead hose onto the back outlet by turning it in a counterclockwise direction. You may need to use Teflon tape on the threads of the diverter outlets to prevent leaks. **NOTE: Vacuum Breakers are required in some states when using hand held showerheads. If needed, screw breaker onto the back diverter outlet before screwing the hose onto the vacuum breaker to protect against back flow. Vacuum breaker provided.** 4. Connect the free end of the hose to your hand held showerhead (**VS-82620**) and place head into diverter holder. Make sure sealing washers are inside the connectors at both ends of the hose to prevent leaks. 5. Reattach the existing fixed showerhead onto the bottom outlet of the diverter by turning in a clockwise direction. 6. Turn on water supply and check all connections for leaks. 7. To operate the diverter with water supply on, turn the handle away from you until it stops. At this setting, both the fixed and hand held showerheads are operational. Turn the handle towards you until the tabs are in the middle. At this setting, just the hand held showerhead is operational. Turn the handle towards you until it stops. At this setting, just the fixed showerhead is operational. Be careful not to overturn the handle. (**Handle turns 180° only**)

### MAINTENANCE

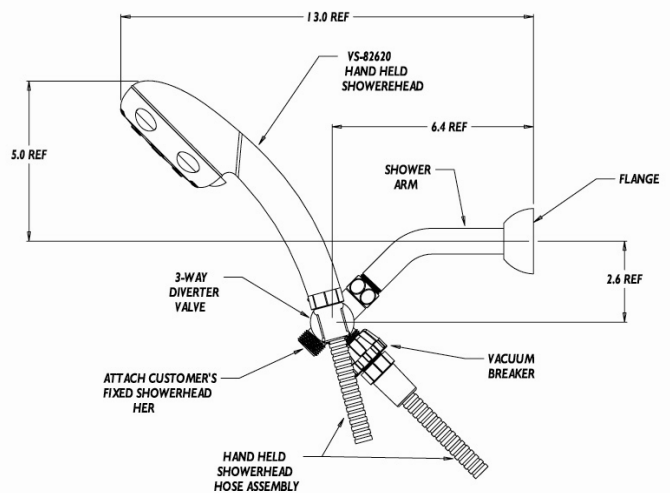
The gleaming finish of your SPEAKMAN "ESCAPE" complete shower system can be cleaned by using mild soap and warm water. Dry immediately with a soft, clean cloth for best results. **DO NOT USE HARSH OR ABUSIVE CLEANERS.**

### ROUGH-IN MEASUREMENTS

Product improvements may cause specification and dimensional changes without notice.



FRONT VIEW



SIDE VIEW

**SPEAKMAN®**

PO Box 191 Wilmington, DE 19899

Phone: 800-537-2107 Fax: 800-977-2747

08/09  
REV 2  
92-3051

Visit us on the web at [www.speakmancompany.com](http://www.speakmancompany.com)