

SPEAKMAN COMPANY

VS-113 Installation, Operation, & Maintenance Instructions

VERSATILE™ 3-WAY SHOWER DIVERTER

DESCRIPTION

VERSATILE™ chrome plated plastic/brass 3-way shower diverter. 1/2"-14 NPSM threaded inlet and outlets. Swivel Brass Coupling Nut. Handle turns 180° only. Three (3) operational diverter settings. No flow control inserted. Meets ASME A112.18.1/CSA B125.1 Standards.

SPECIFICATIONS

SUPPLY INLET: 1/2"-14 NPSM FEMALE
BOTTOM AND SIDE PORT OUTLETS: 1/2" – 14 NPSM MALE
SHIPPING WEIGHT: 0.6 LBS.

OPTIONS

- | |
|--|
| • BN – Brushed Nickel Finish |
| • PB – Polished/Bright Brass Finish |

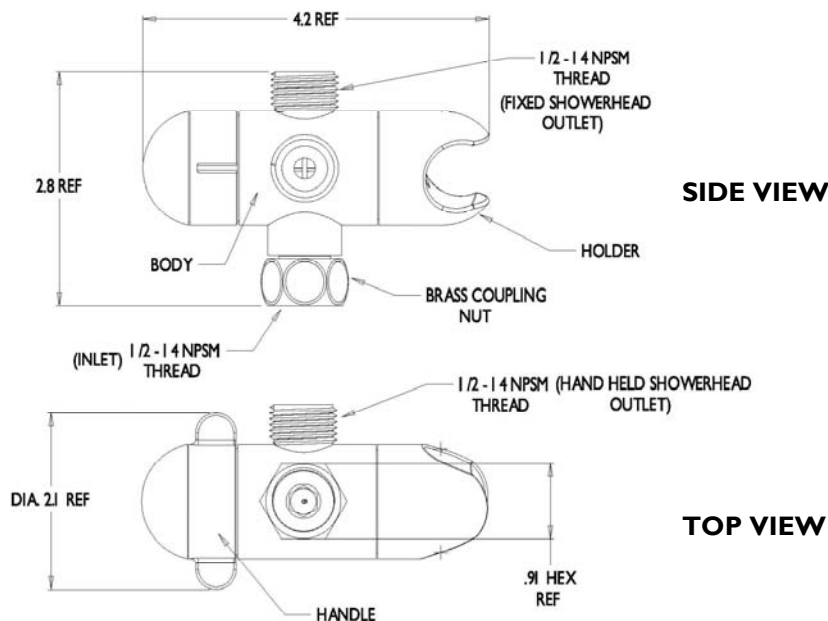
INSTALLATION

Make sure there are flow controls inside both showerhead assemblies if you desire to regulate the flow. No flow control is provided with the diverter. **1.** Screw the 3-way diverter's brass coupling nut onto the shower arm by turning it in a counterclockwise direction. **(Final positioning of diverter calls for hand held outlet to face away from installer, See Top View)** Make sure the sealing washer is inside the brass coupling nut to prevent leaks. **2.** Screw your fixed showerhead assembly onto the bottom outlet by turning it in a counterclockwise direction. **3.** Screw one side of your hand held showerhead hose onto the back outlet by turning it in a counterclockwise direction. You may need to use Teflon tape on the threads of the diverter outlets to prevent leaks, especially if sealing washers are not provided with the showerheads. **NOTE: Vacuum Breakers are required in some states when using hand held showerheads. If needed, screw breaker onto the back outlet before screwing the hose onto the vacuum breaker to protect against back flow. Vacuum breaker not provided.** **4.** Connect the free end of the hose to your hand held showerhead and place head into holder. **5.** Turn on water supply and check all connections for leaks. **6.** To operate the diverter with water supply on, turn the handle away from you until its tabs are in the vertical position. At this setting, both the fixed and hand held showerheads are operational. Turn the handle towards you until its tabs are in the middle. At this setting, just the hand held showerhead is operational. Turn the handle towards you until its tabs are again in the vertical position. At this setting, just the fixed showerhead is operational. Be careful not to overturn the handle. **(Handle turns 180° only)**

MAINTENANCE

The gleaming finish of your SPEAKMAN VERSATILE® VS-113 3-way diverter can be cleaned by using mild soap and warm water. Dry immediately with a soft, clean cloth for best results. **DO NOT USE HARSH OR ABUSIVE CLEANERS.**

ROUGH-IN MEASUREMENTS



Product improvements may cause specification and dimensional changes without notice.

SPEAKMAN®

PO Box 191 Wilmington, DE 19899 Phone: 800-537-2107 Fax: 800-977-2747

Visit us on the web at www.speakmancompany.com

08/08
REV 1
92-2945