

SPEAKMAN®

SE-216

LIFESAVER® EMERGENCY SHOWER

DESCRIPTION

The SE-216 Lifesaver® Emergency Shower is supplied with stay-open full flow ball valve, activated by on/off pull rings.

SPECIFICATIONS

Showerhead: 8" Cicolac® yellow plastic

Flow Control: Internal 20 gpm regulator

Valve: 1" NPT female brass, nickel-plated, self-closing valve

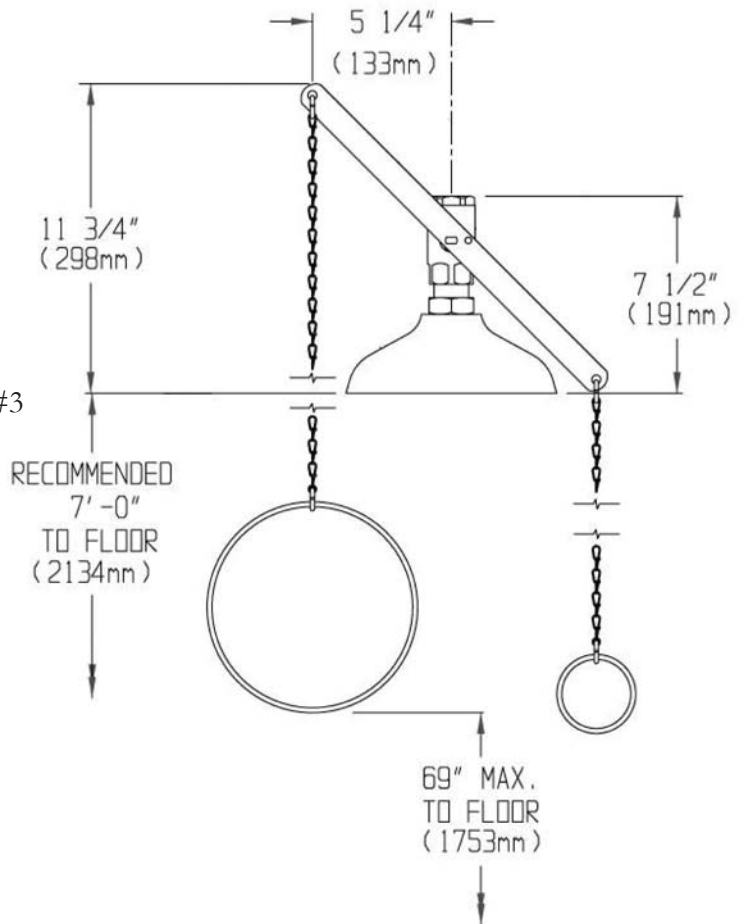
Activator: 8" diameter stainless steel ring, #3 stainless steel loop chain (On). 3" diameter stainless steel ring, #3 stainless steel loop chain (Off).

Inlet: 1" NPT female

Performance: 20 gpm @ 20 psi

Compliance: ANSI Z358.1

Universal Emergency Sign Included



OPTIONS

- | | |
|-----------------------------------|---------------------------------------|
| <input type="checkbox"/> BH | Brass showerhead |
| <input type="checkbox"/> FLW | Flow switch |
| <input type="checkbox"/> FLW-DPDT | Double-pole, double-throw flow switch |
| <input type="checkbox"/> FPV | Anti-freeze protection valve |
| <input type="checkbox"/> PC | Polished chrome showerhead |
| <input type="checkbox"/> SSBV | Stainless steel ball valve |
| <input type="checkbox"/> SPV | Anti-scald protection valve |
| <input type="checkbox"/> SSH | Stainless steel showerhead |

Job Name _____
Location _____
Architect/Engineer _____
Sales Representative _____
Wholesaler _____
Date _____ Model # _____