

# **SPEAKMAN COMPANY**

## **SE-216 Installation, Maintenance & Operation Instructions**

### **LIFESAVER® EMERGENCY SHOWER**

#### **DESCRIPTION**

Emergency deluge shower supplied with stay-open full flow ball valve, activated by on/off pull rings.

#### **SPECIFICATIONS**

SHOWER HEAD: 8" Dia. CYCOLAC® Yellow Plastic.  
 FLOW CONTROL: Internal 20 gpm Restrictor.  
 VALVE: 1" NPT Female Brass, Nickel-Plated. Self-Closing Valve.  
 ACTIVATOR: 8" Dia. Stainless Steel Ring, #3 Stainless Steel Loop Chain (ON).  
                   3" Dia. Stainless Steel Ring, #3 Stainless Steel Loop Chain (OFF).  
 INLET: 1" NPT Female.  
 SHIPPING WEIGHT: 4 lb.  
 EMERGENCY SIGN: 7-7/8" x 7-7/8" Plastic Wall Sign.

#### **OPTIONS**

◇ AL1 (Air Horn Alarm)	◇ STALL (Shower Stall)	◇ SPV (Anti-Scald Protection Valve)
◇ AL3 (Electrical Alarm)	◇ PC (Polished Chrome Shower Head)	◇ VPL (Vapor Proof Light)
◇ AL2-C1D2 (Electrical Alarm / Haz. Area)	◇ BH (Brass Shower Head)	◇ SSBV1 (Stainless Steel Ball Valve)
◇ AL3-C1D2 (Electrical Alarm / Haz. Area)	◇ SSH (Stainless Steel Shower Head)	◇ SGN5 (Shower Floor Sign)
◇ FLW (Flow Switch)	◇ FPV (Anti-Freeze Protection Valve)	◇

#### **INSTALLATION**

Assemble unit to a 1" supply that has an uninterrupted source of potable water. Use pipe sealant on this joint. Review drawing (as shown on other side) to assure proper installation. Failure to use potable water can result in emergency units producing impure or contaminated water causing possible further injury.

#### **OPERATION**

This shower is activated by pulling downward on the 8" Dia. stainless steel ring. The valve will continue to discharge water until manually shut off, by pulling downward on the 3" Dia. stainless steel ring.

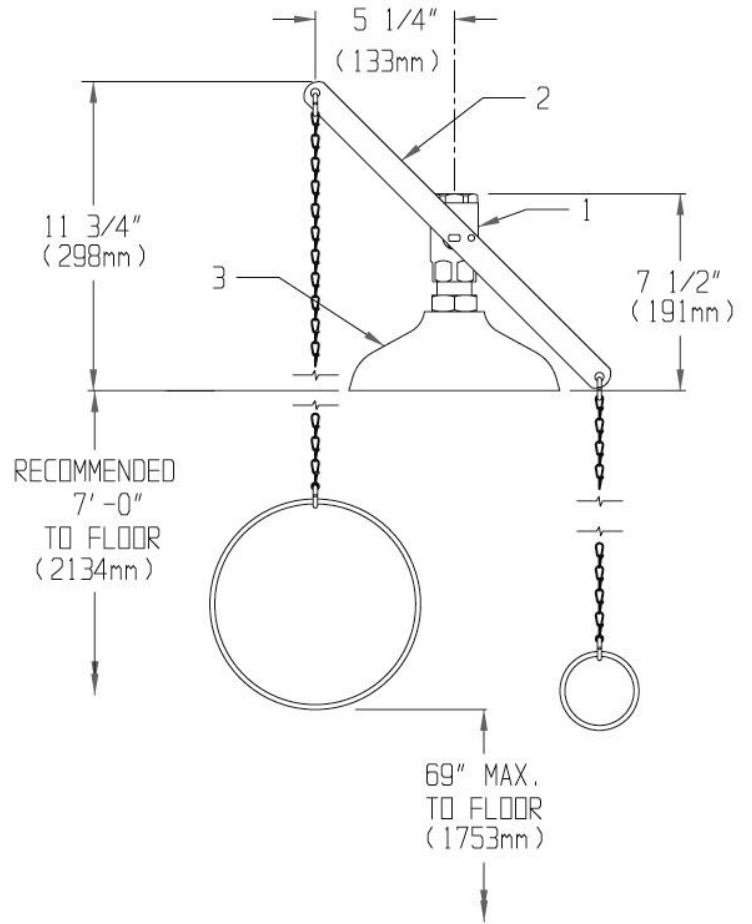
#### **TESTING PROGRAM**

The American National Standards Institute (ANSI) states that all safety emergency equipment shall be activated on a weekly basis to flush the line and verify proper operation. Speakman Company furnishes a testing record tag (91-0635) with each unit. On this tag the date of inspection and the inspectors initials should be noted.

**MAINTENANCE**

Should you need parts to repair this unit, please reference the parts listing below for correct part numbers. Reference additional technical sheets (supplied) for information on the SE-911 stay-open valve and the SE-870 shower head. Before any maintenance is done **be sure to shut the water supply off.**

**WARNING: Use only genuine Speakman parts when repairing or replacing components. To order parts call 1-800-537-2107.**



**SE-216 REPLACEMENT/REPAIR PARTS**

<u>ITEM</u>	<u>PART/GROUP #</u>	<u>DESCRIPTION</u>
1	SE-911-CR	1" Stay-Open Valve
2	RPG04-0399	Double Lever Handle with Chains & Rings
3	SE-870	8" Plastic Shower Head

**FLOW DATA**

SHOWER:

FLOW PRESSURE	PSI (BAR)	20 (1.38)	60 (4.14)
FLOW RATE	GPM (LPM)	20 (75)	25 (94)

NOTE: This unit should be connected to an uninterrupted source of potable water, with a minimum flowing pressure of 20 PSI and a maximum static pressure of 125 PSI.

Note: All units meet existing ANSI Z358.1 Standards and OSHA Rules. Product improvements may cause specification and dimensional changes without notice.

**SPEAKMAN®**

PO Box 191 Wilmington, DE 19899 Phone: 800-537-2107 Fax: 800-977-2747  
Visit us on the web at [www.speakmancompany.com](http://www.speakmancompany.com)