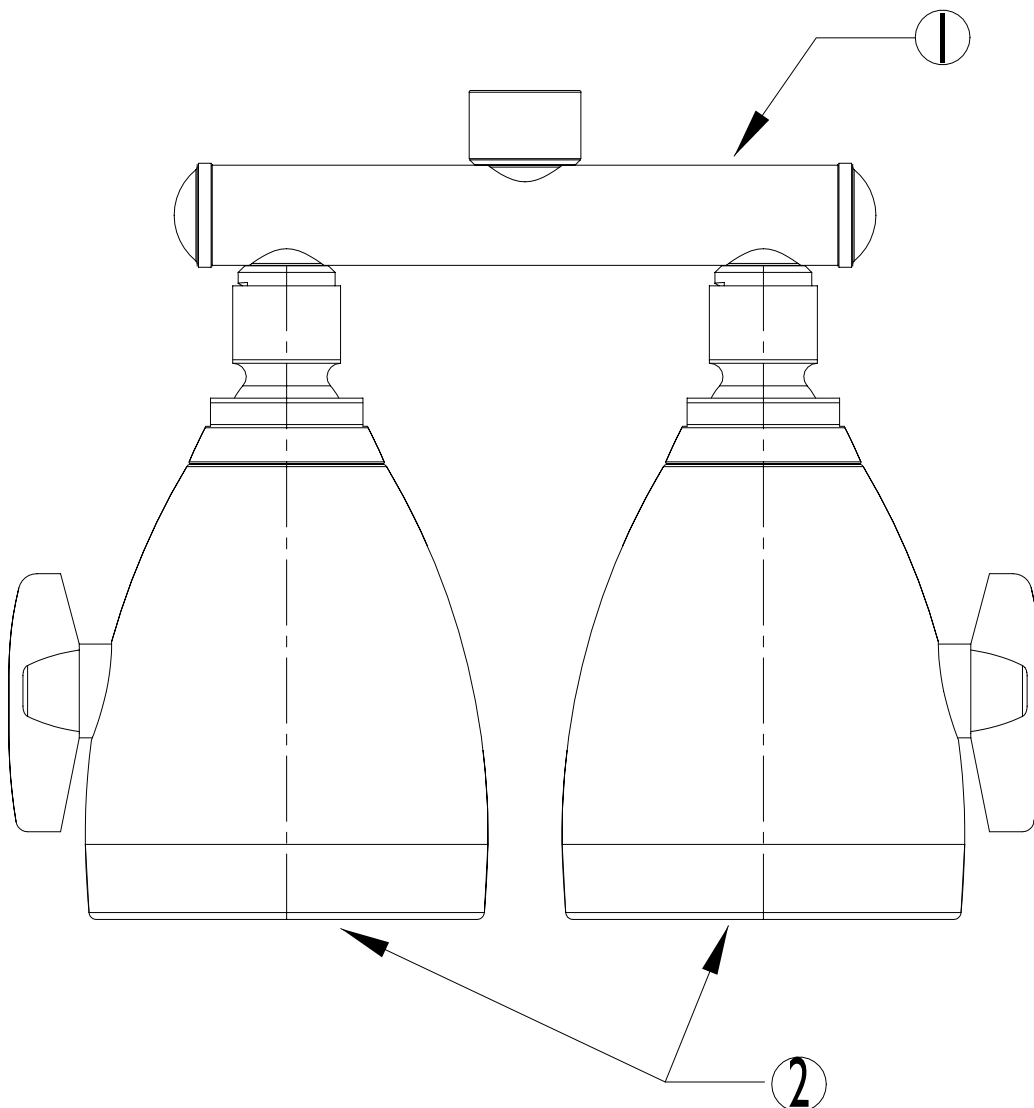


PARTS LISTING FOR DUAL HOTEL SHOWER HEAD

S-2222

<u>ITEM NO.</u>	<u>PART OR GROUP NO.</u>	<u>DESCRIPTION</u>
-----------------	--------------------------	--------------------

- | | | |
|---|--------------|--------------------------|
| 1 | 05-21 57-PC | DUAL SHOWERHEAD MANIFOLD |
| 2 | S-2005-HOTEL | SHOWERHEAD |



02/09
Rev 3
92-2111

SPEAKMAN®

PO Box 191 Wilmington, DE 19899 Phone: 800-537-2107 Fax: 800-977-2747
Visit us on the web at www.speakmancompany.com