

# SPEAKMAN®

## SEF-1811

### EYESAVER® FAUCET SPECIFICATIONS

#### DESCRIPTION

The SEF-1811 Eyesaver® faucet combines a sensor activated gooseneck faucet with an independently operated eyewash. The faucet features a 4" deck plate with thermostatic mixer while the eyewash offers twin aerated sprays and flip-top dust covers.

#### SPECIFICATIONS

##### EYEWASH

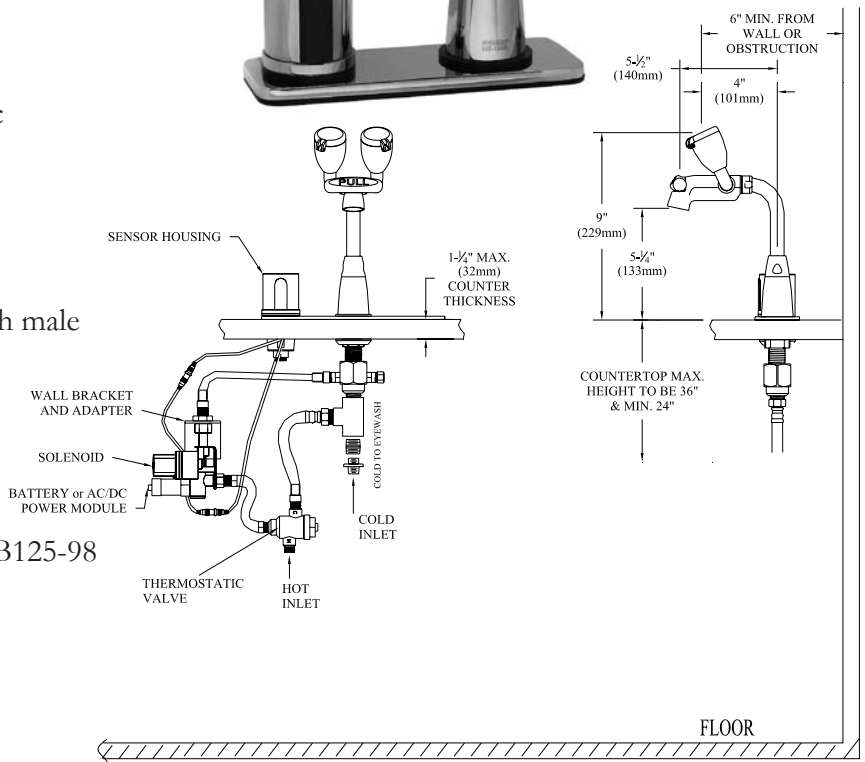
**Activator:** Pull handle with graphics  
**Spray heads:** (2) aerated yellow ABS plastic spray outlets with flip-top dust caps  
**Performance:** 2.6 gpm @ 30 psi  
**Approvals:** Meets ANSI Z358.1

##### FAUCET

**Supply:** 3/8" compression connections with male threads for hot and cold inlets  
**Center Distance:** 4"  
**Activator:** Sensor battery operated  
**Performance:** 2.2 gpm  
**Counter thickness:** Up to 1 1/4" thick  
**Approvals:** Meets ASME A112.18.1, CSA B125-98  
**Universal Emergency Sign Included**

#### OPTIONS

- BO Vandal resistant 0.5 gpm flow control
- HS Two (2) Stainless steel flexible supply hoses to supply stops
- LF Laminar flow outlet 2.2 gpm
- NA No aerated eyewash
- ST Serrated tip with vacuum breaker
- TW Addition of SE-370 thermostatic mixing valve
- 8 8" gooseneck spout



Job Name _____
Location _____
Architect/Engineer _____
Sales Representative _____
Wholesaler _____
Date _____ Model # _____