

# SPEAKMAN®

SE-6100

## Combination Shower & Eye/Face Wash

### DESCRIPTION

SE-6100 Freeze protected combination shower and eye/face wash units are wrapped with heat trace cable and insulation and are jacketed in PVC to protect them to  $-50^{\circ}\text{F}$ . Eye/Face wash features dual aerated spray outlets with automatic flow controls and flip top dust covers. The impellar action shower is activated by a high visibility yellow pull rod.

### SPECIFICATIONS

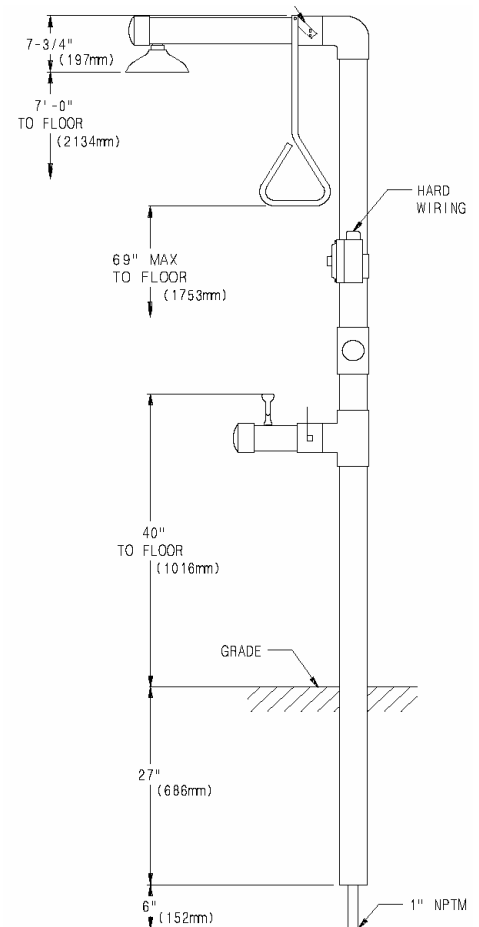
**SHOWER HEAD:** 8" Dia. CYCOLAC® Yellow Plastic.  
**FLOW CONTROL:** Internal 20 gpm Regulator.  
**VALVE:** 1" NPTF Brass, Chrome-Plated. Full Flow Stay-Open Ball Valve.  
**ACTIVATOR:** Powder Coated Yellow, Aluminum Triangular Pull Rod.  
**INTERNAL STANCHION:** 1" IPS Galvanized Steel Pipe  
**INLET:** 1" NPT male, Underground Supply, 33" bury.  
**FINISH:** DuraJade™ Painted Green Finish.

### EYE/FACE WASH

**SPRAY HEADS:** (2) Yellow ABS Plastic Spray Outlets with flip-top dust caps.  
**VALVE:** 1/2" NPTF Brass, Chrome-Plated. Full Flow Stay-Open Ball Valve.  
**ACTIVATOR:** Stainless Steel Push Handle.

### ELECTRIC

**HEATING TAPE:** Self-limiting parallel resistance cable with braided metal shield.  
**THERMOSTAT:** Preset, hermetically sealed single pole contact switch. Temperature range  $60^{\circ}$  to  $70^{\circ}\text{F}$ .  
**INSULATION:** Closed cell rubber foam.  
**PILOT LIGHT:** .025 watt red light with push test button. Lights when thermostat closes and heating tape is activated.  
**JUNCTION BOX:** NEMA 4X water tight, dust tight and corrosion resistant for indoor or outdoor locations.  
**POWER SUPPLY:** 120 vac, 60 cycle, single phase  
**ELECTRICAL CLASSIFICATION:** Non-Hazardous area  
**GROUND FAULT PROTECTION:** Installation will require minimum 30 mA GFPD.



Universal Emergency Sign Included  
Compliance: Meets ANSI Z358.1, FM Certified

### OPTIONS

- Freeze Protection Valve (FPV)
- Scald Protection Valve (SPV)
- Flow Switch (FLW)
- Hand Held Spray (HTDH)

Job Name _____
Location _____
Architect/Engineer _____
Sales Representative _____
Wholesaler _____
Date _____ Model # _____