

# SPEAKMAN®

SE-582

EYESAVER® EYEWASH



## DESCRIPTION

The SE-582 Eyesaver® eyewash features a stainless steel bowl, dual aerated spray heads with automatic flow controls and flip-top dust covers.

## SPECIFICATIONS

**Bowl:** 300 series stainless steel

**Spray Heads:** (2) aerated yellow ABS plastic spray outlets with flip-top dust caps

**Valve:** 1/2" NPT female brass, chrome-plated

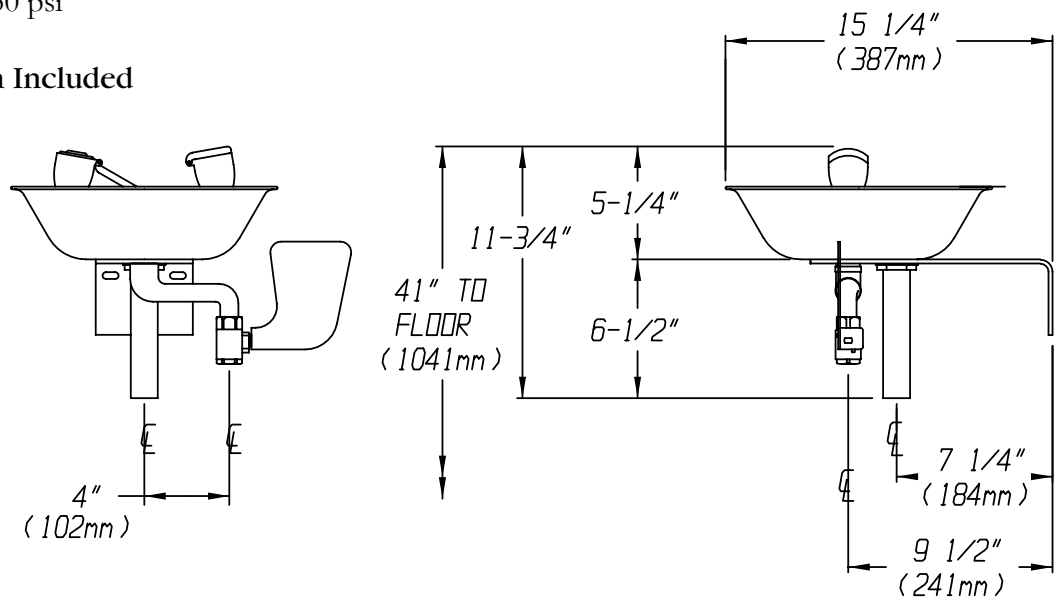
**Activator:** Stainless steel push handle

**Inlet:** 1/2" NPT female

**Performance:** 3.6 gpm @ 30 psi

**Compliance:** ANSI Z358.1

**Universal Emergency Sign Included**



## OPTIONS

- FLW Flow switch
- FPV Freeze protection valve
- HFO Hand/Foot operation
- HS Hand-held spray
- ILS In-line strainer
- PT P-trap
- SPV Scald protection valve
- SSBV Stainless steel ball valve

Job Name _____
Location _____
Architect/Engineer _____
Sales Representative _____
Wholesaler _____
Date _____ Model # _____