

SPEAKMAN®

SE-227-SS

LIFESAVER® EMERGENCY SHOWER

DESCRIPTION

The SE-227-SS Lifesaver® stainless steel Emergency Shower features an impeller action stainless steel shower head with a horizontal supply. The unit is activated with a 1" stay-open ball valve operated by a stainless steel pull rod.

SPECIFICATIONS

Showerhead: 8" stainless steel

Flow Control: Internal 20 gpm regulator

Valve: 1" NPT stainless steel stay-open valve

Activator: Stainless steel triangular pull rod

Inlet: 1" NPT female

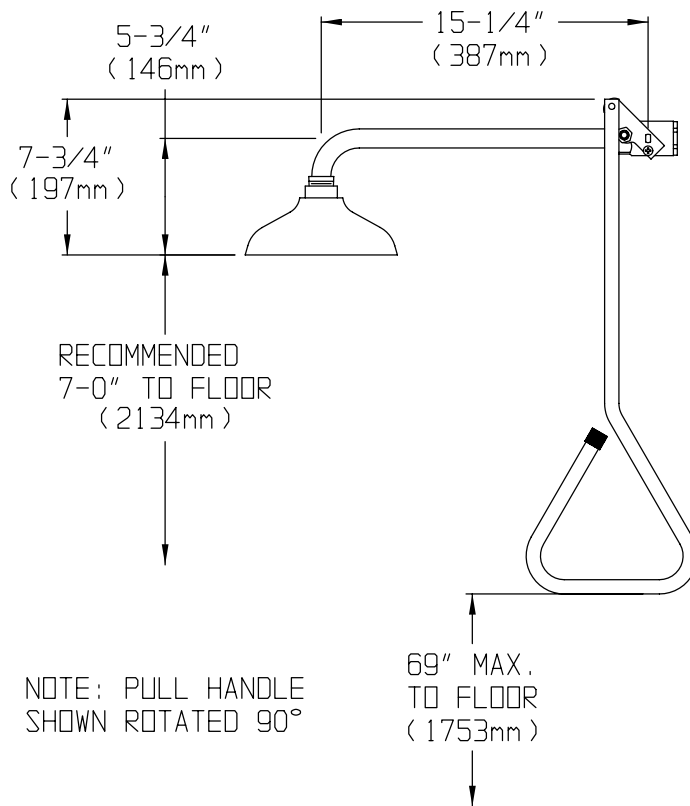
Performance: 20 gpm @ 20 psi

Compliance: ANSI Z358.1

Universal Emergency Sign Included

OPTIONS

- FLW Flow switch
- HS Hand-held spray
- PSS Polished stainless steel finish
- SCV Self-closing valve



Job Name _____
Location _____
Architect/Engineer _____
Sales Representative _____
Wholesaler _____
Date _____ Model # _____