

SPEAKMAN®

SE-227

LIFESAVER® EMERGENCY SHOWER

DESCRIPTION

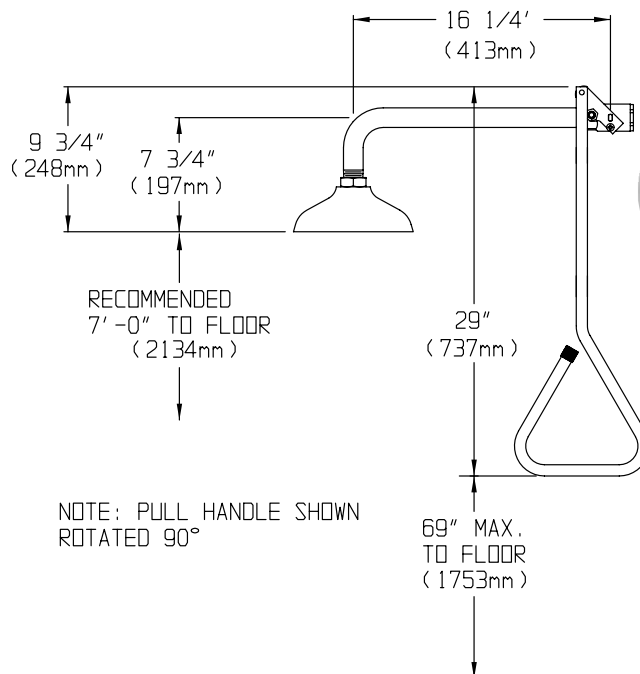
The SE-227 Lifesaver® Emergency Shower features an impeller action yellow Cylolac® shower head with a horizontal overhead supply. The unit is activated with a 1" stay-open ball valve operated by a high visibility yellow pull rod.

SPECIFICATIONS

- Showerhead:** 8" Cylolac® yellow plastic
- Flow Control:** Internal 20 gpm regulator
- Valve:** 1" NPT female brass, chrome-plated, stay-open valve
- Activator:** Powder coated yellow, aluminum triangular pull rod
- Inlet:** 1" NPT female
- Performance:** 20 gpm @ 20 psi
- Compliance:** ANSI Z358.1
- Universal Emergency Sign Included**

OPTIONS

- BH Brass showerhead
- FLW Flow switch
- HS Hand-held spray
- SCV Self-closing valve
- SPR Stainless steel pull rod
- SSBV Stainless steel ball valve
- SSH Stainless steel showerhead
- XPR Extended aluminum pull rod



NOTE: PULL HANDLE SHOWN ROTATED 90°

Job Name _____
Location _____
Architect/Engineer _____
Sales Representative _____
Wholesaler _____
Date _____ Model # _____