

SPEAKMAN®

SE-220

LIFESAVER® EMERGENCY SHOWER

DESCRIPTION

The SE-220 Lifesaver® Emergency Shower features an impeller action yellow Cicolac® shower head with a vertical overhead supply. The unit is activated with a 1" stay-open ball valve operated by a high visibility yellow pull rod.

SPECIFICATIONS

Showerhead: 8" Cicolac® yellow plastic

Flow Control: Internal 20 gpm regulator

Valve: 1" NPT female brass, chrome-plated, stay-open valve

Activator: Powder coated yellow, aluminum triangular pull rod

Inlet: 1" NPT female

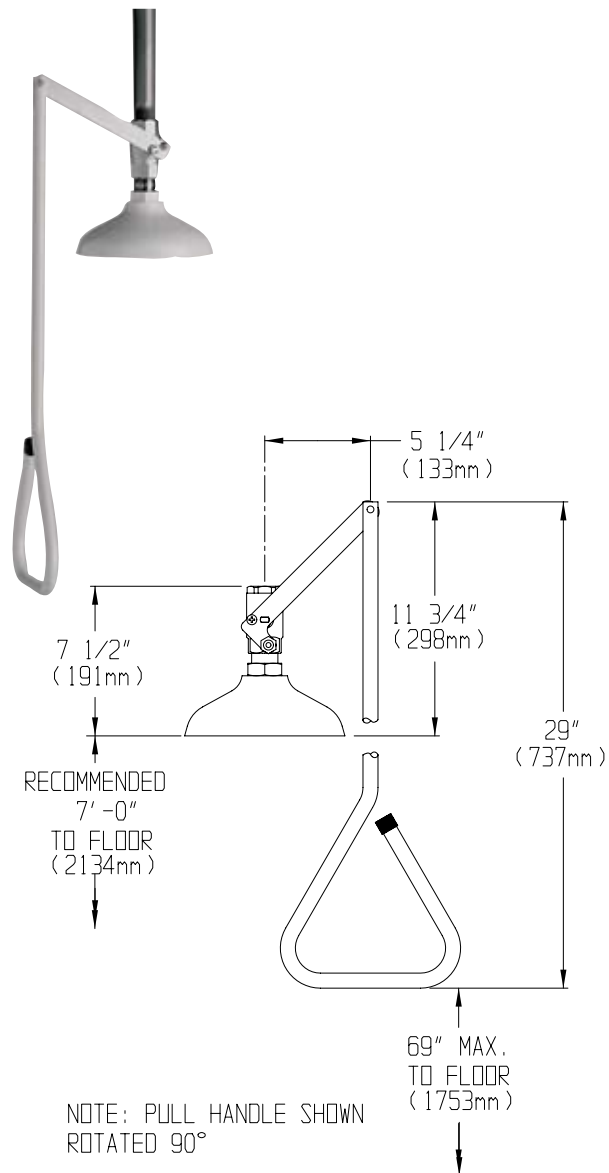
Performance: 20 gpm @ 20 psi

Compliance: ANSI Z358.1

Universal Emergency Sign Included

OPTIONS

- BH Brass showerhead
- FLW Flow switch
- HS Hand-held spray
- PSS Polished stainless steel finish
- SCV Self-closing valve
- SPR Stainless steel pull rod
- SSBV Stainless steel ball valve
- SSH Stainless steel showerhead
- XPR Extended aluminum pull rod



Job Name _____
Location _____
Architect/Engineer _____
Sales Representative _____
Wholesaler _____
Date _____ Model # _____